















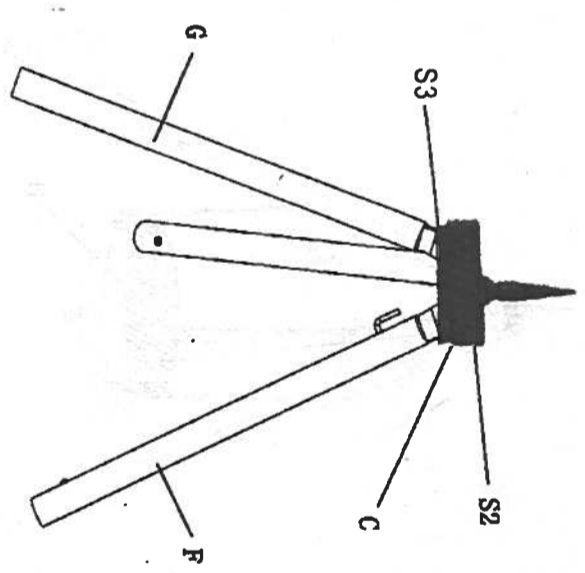
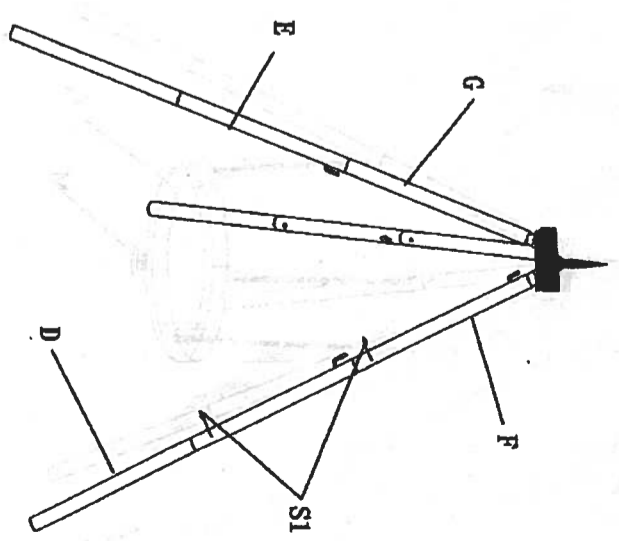


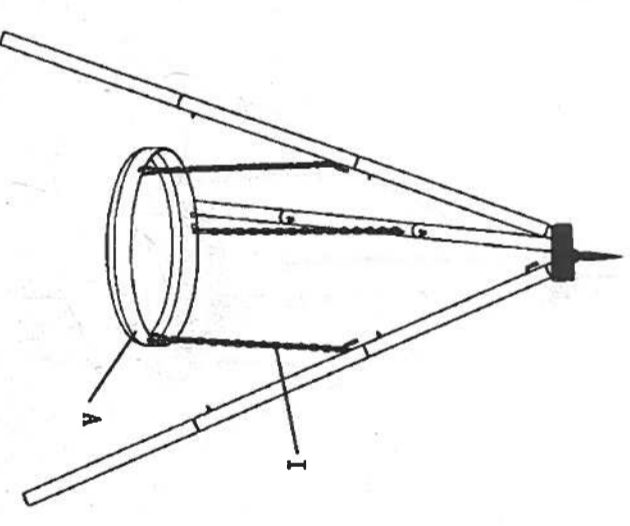
| No. | Assembly unit | Quantity | Picture |
|-----|--------------------|----------|---|
| A | fire bowl | 1 |  |
| B | cooking grid | 1 |  |
| C | top frame rack | 1 |  |
| D | Leg D | 3 |  |
| E | Leg E | 3 |  |
| F | Leg F | 1 |  |
| G | Leg G | 2 |  |
| H | metal bracket | 3 |  |
| I | chain | 3 |  |
| J | long chain | 1 |  |
| K | chain hanging hook | 1 |  |
| M | ash tray | 1 |  |
| O | poker | 1 |  |
| S1 | wing screw | 6 |  |
| S2 | hex bolts | 3 |  |
| S3 | hex nut | 3 |  |



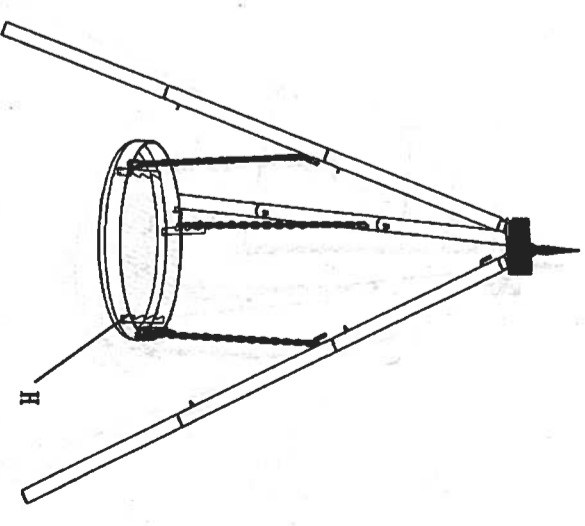
Step 1: Connect the leg F & G with top flame rack C, by using screw S2 & nut S3.



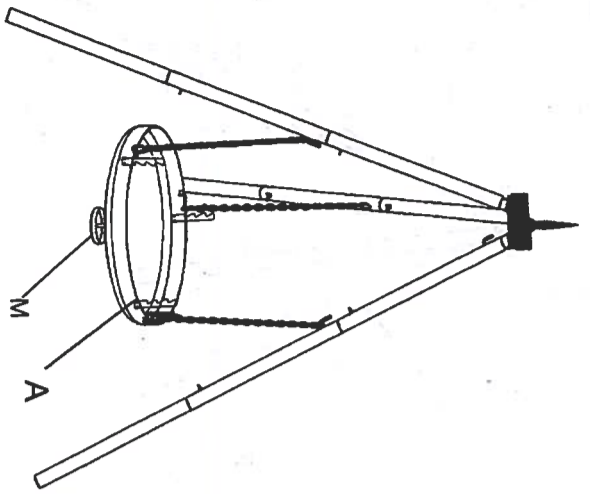
Step 2: Connect the leg D, E, F, by using wing screw S1.



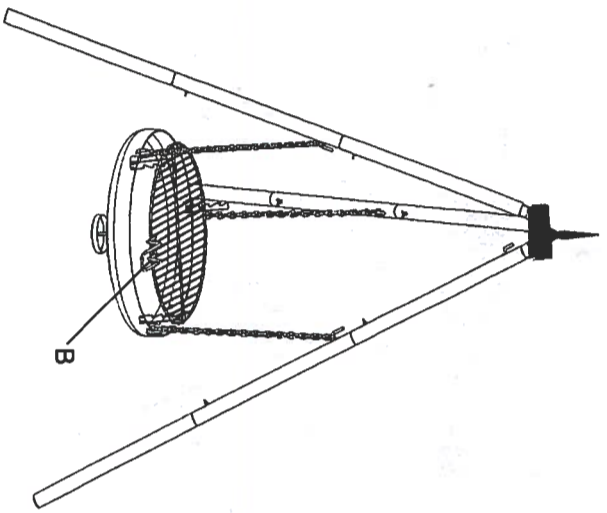
Step 3: Hang up the chain I onto leg E, then hang up the bowl A to chain I.



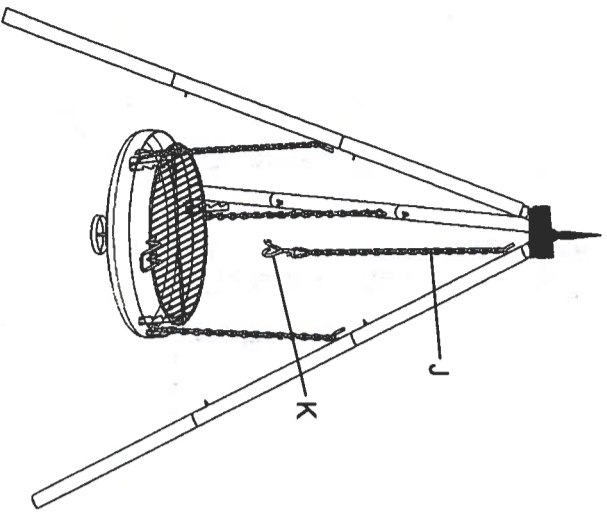
Step 4: Connect the metal bracket H with fire bowl A,



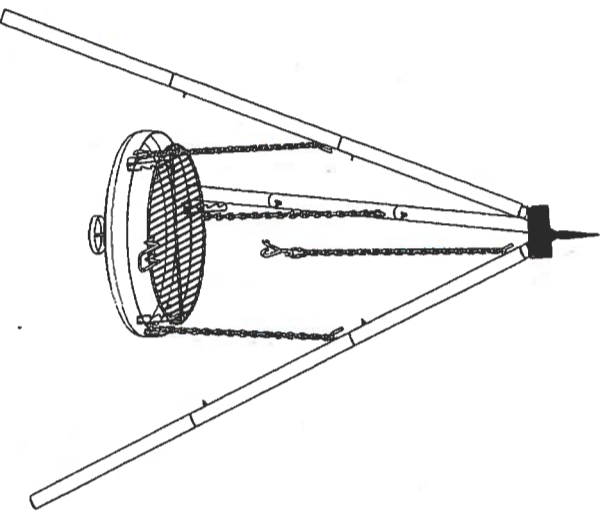
Step 5: Hang up the ash tray M into the bottom of fire bowl A.



Step 6: Place the cooking grid B upon the fire bowl A.



Step 7: Hang up the chain J onto the leg F, and hang up the chain hanging book K.



Step 8: this BBQ is finished, pls enjoy it!

