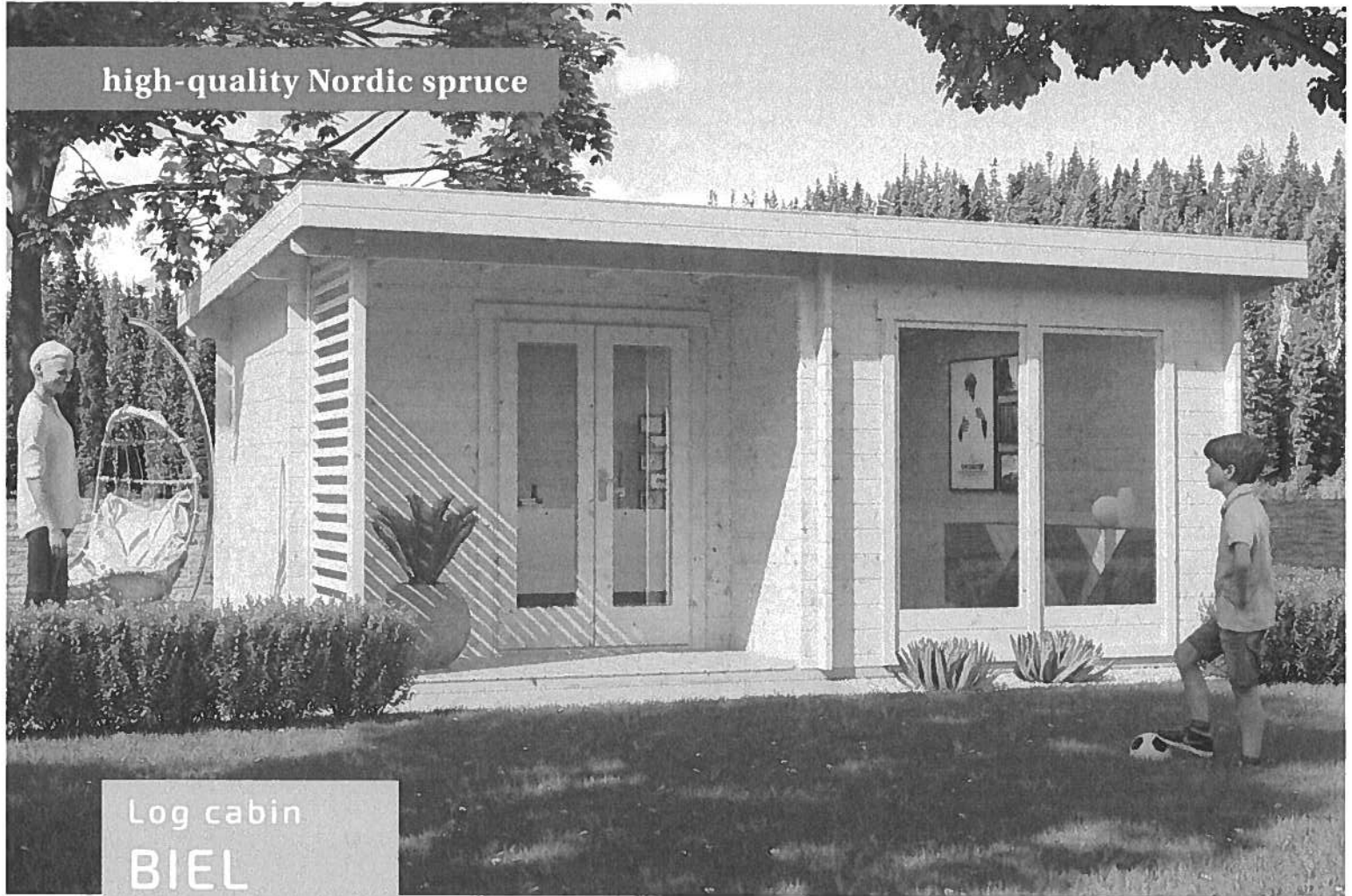


# BIEL

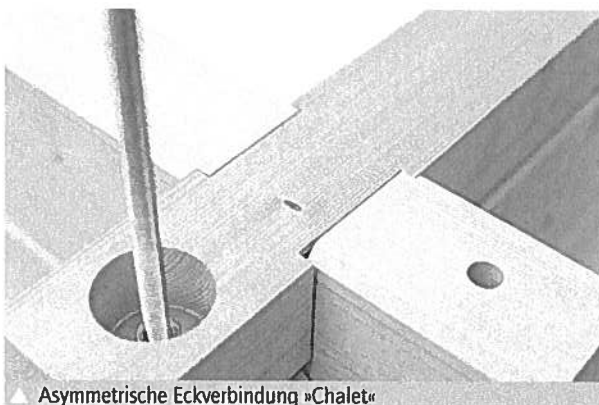
high-quality Nordic spruce



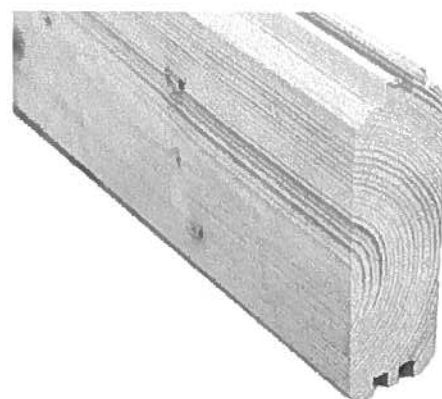
Log cabin  
**BIEL**  
520 x 400 cm

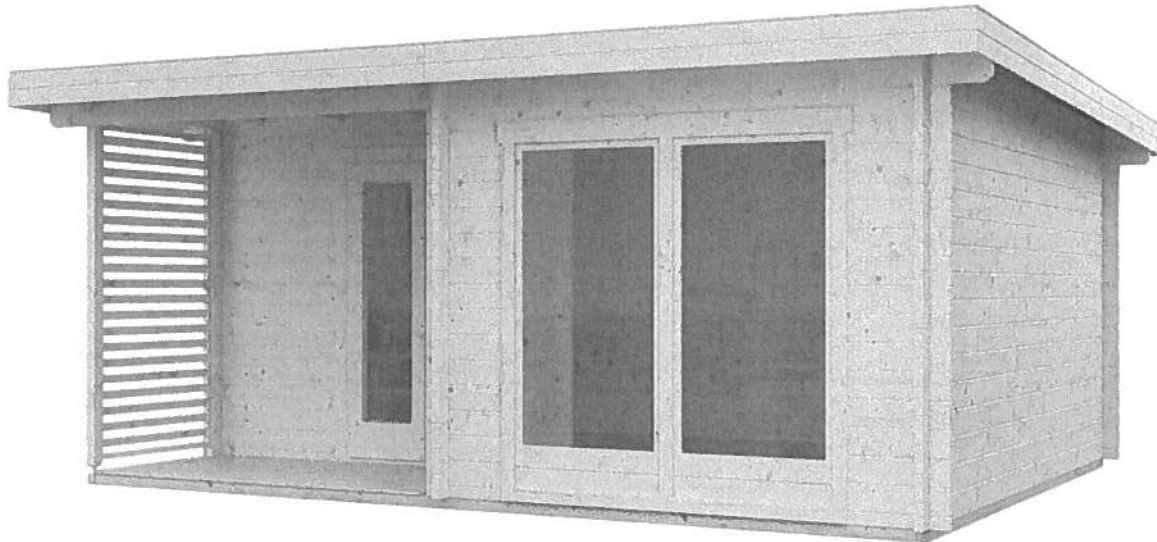
*design suggestion*

- 45 mm wall logs
- floor 19 mm
- Roof 19 mm profile boarding
- Fixed panorama window



▲ Asymmetrische Eckverbindung »Chalet«





## LOG CABIN BIEL 520 x 400 cm

### Data sheet / Construction description

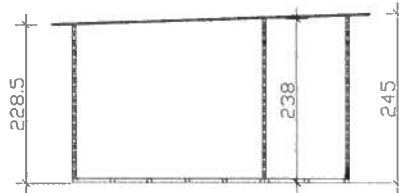
<b>Wall thickness</b>	45 mm
<b>Color treatment</b>	untreated
<b>Corner construction</b>	plus, asymmetrical corner construction
<b>Wind bracing</b>	Threaded rod + tension spring
<b>Mounting material</b>	Included
<b>Iron parts</b>	galvanized
<b>Width</b>	520 cm
<b>Length</b>	400 cm
<b>Total width</b>	580 cm
<b>Total length</b>	460 cm
<b>Height sidewall</b>	228,5 cm
<b>Roof ridge height</b>	245 cm
<b>Number of rooms</b>	1
<b>Base surface</b>	20,8 m <sup>2</sup>
<b>Building volume (without canopy)</b>	49,24 m <sup>3</sup>
<b>Wall surface outside</b>	47,2 m <sup>2</sup>
<b>Floor</b>	19 mm floorboards, untreated
<b>Ground supports</b>	60 x 60 mm, impregnated
<b>Roof construction</b>	19 mm roof boards
<b>Roof shape</b>	Pent roof

<b>Roof pitch</b>	2 °
<b>Snow load</b>	0,75 kN/m <sup>2</sup>
<b>Roof overhang (front)</b>	30 cm
<b>Roof overhang (lateral)</b>	30 cm
<b>Roof overhang (behind)</b>	30 cm
<b>Roof surface</b>	26,99 m <sup>2</sup>

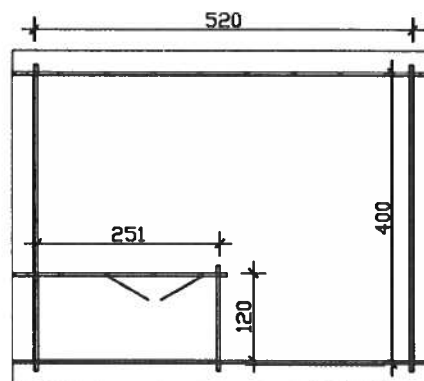
<b>Doors</b>	1x Double door, full glazed (112,2 x 181,5 cm)
<b>Windows</b>	2x Panoramic window, Fixed (73 x 173 cm)
<b>Article code</b>	611607
<b>Barcode</b>	4018211611607
<b>Packaging dimensions</b>	packet 1: 120 cm x 600 cm x 72 cm 1.598,0 kg
<b>Guarantee</b>	5 year warranty on wood, construction and stability when properly assembled and cared for according to our guarantee undertaking
<b>not included</b>	Insulation, cement, anchoring basic storage with underground (foundation)

**BIEL**  
520 x 400 cm

Drawing  
section



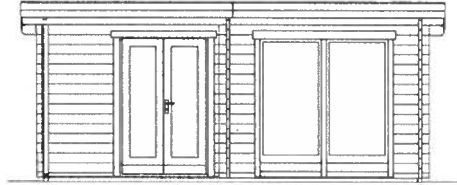
Ground  
plan



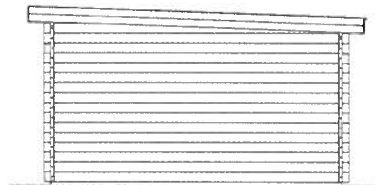
**BIEL**  
520 x 400 cm

floor plan, cross section and elevations M 1:100

Front view



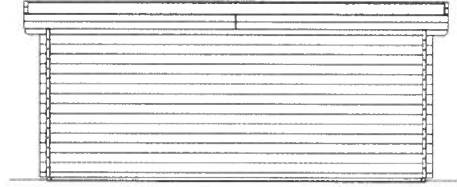
View from  
the right



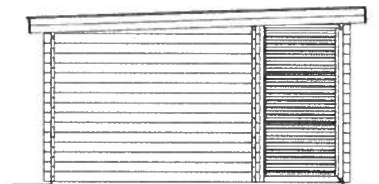
**BIEL**  
520 x 400 cm

floor plan, cross section and elevations M 1:100

View from  
behind



View from  
the left



**BIEL**  
520 x 400 cm

floor plan, cross section and elevations M 1:100