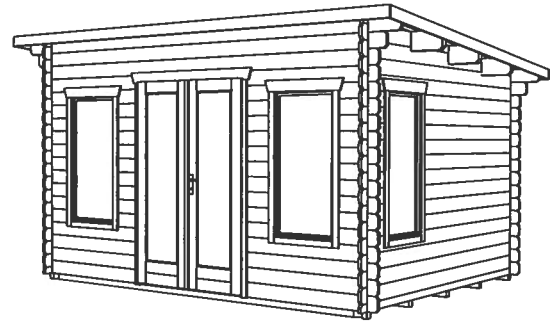


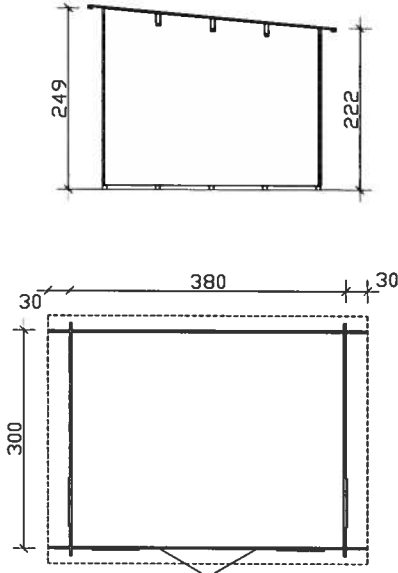
**SKAN HOLZ**  
Log cabins

1. 28mm planks as stable wall construction
2. concealed cross-bracing for optimum utilization of space
3. profiled corner connections for reliable protection against rain

Wooden floor with ground supports, roofing paper and accessories included.



SKAN HOLZ corner connections



Floor plan, cross-section and elevations M 1:100

**Kronberg 380 x 300cm**

**Data sheet / construction description**

<b>Walls</b>	<b>28mm-wooden planks, untreated</b>
<b>Roof</b>	<b>19mm profiled wood, untreated</b>
<b>Floors</b>	<b>19mm floor planks, untreated</b>
<b>Ground supports</b>	<b>5 each 60 x 60mm, impregnated</b>
<b>Iron parts</b>	<b>galvanized</b>
<b>Width x depth</b>	<b>380cm x 300cm</b>
<b>Height, front / back</b>	<b>249cm / 222cm</b>
<b>Area / building volume</b>	<b>11,40m<sup>2</sup> / 26,85m<sup>3</sup></b>
<b>Roof inclination</b>	<b>5° / snow load max. sk = 0,75kN/m<sup>2</sup></b>
<b>Roof extension</b>	<b>Around circumference 20cm / roof surface 15,05m<sup>2</sup></b>
<b>Packaging unit</b>	<b>Width x length x height 120 x 450 x 52cm / 825kg</b>
<b>EAN</b>	<b>4018211 760398</b>
<b>Inclusive</b>	<b>1 double door (passage 123,4 x 193cm), 4 tilt-and-turn single window (opening 57,5 x 123,5cm) concealed tie rod construction, profiled corner connections</b>