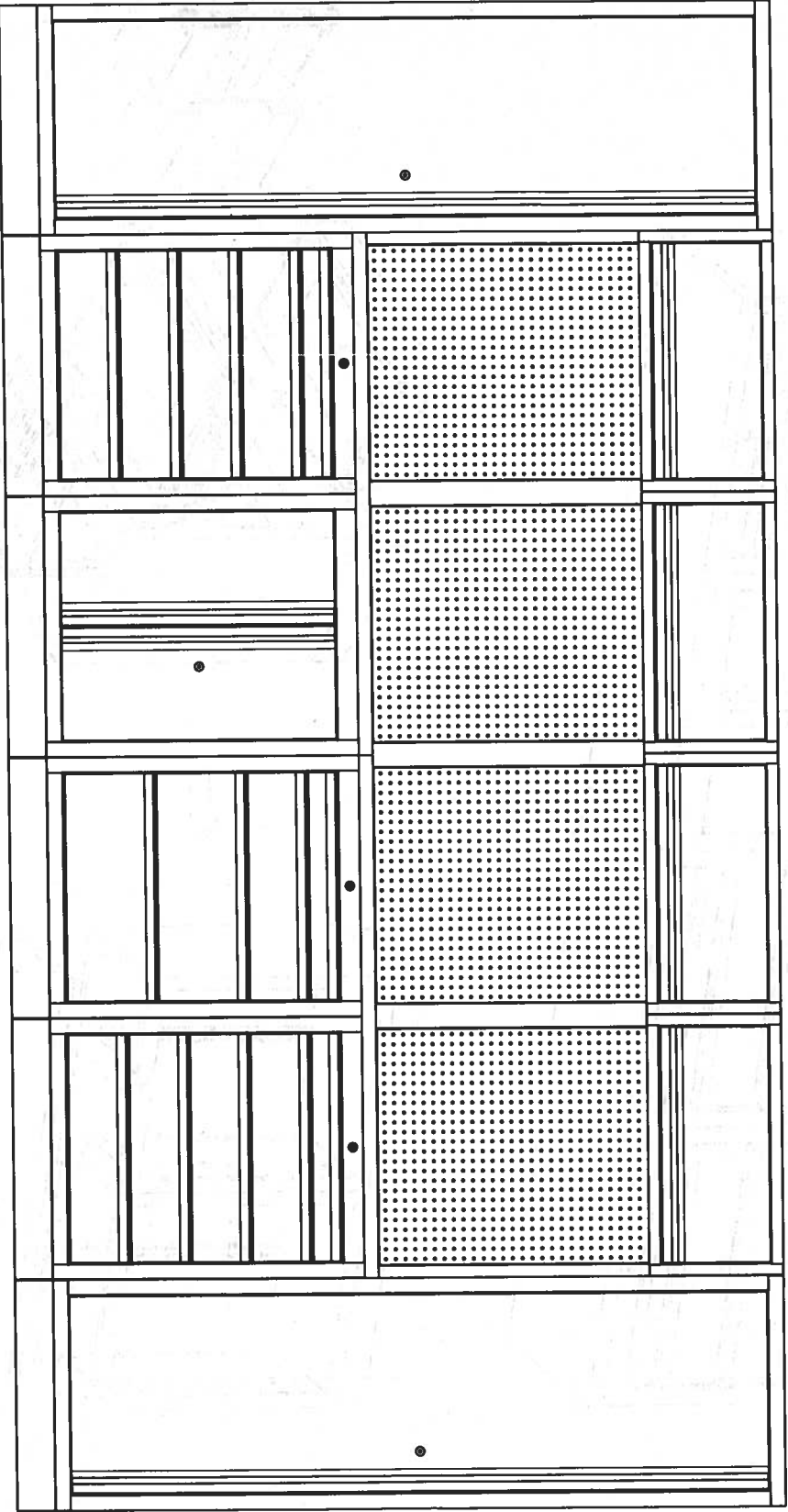
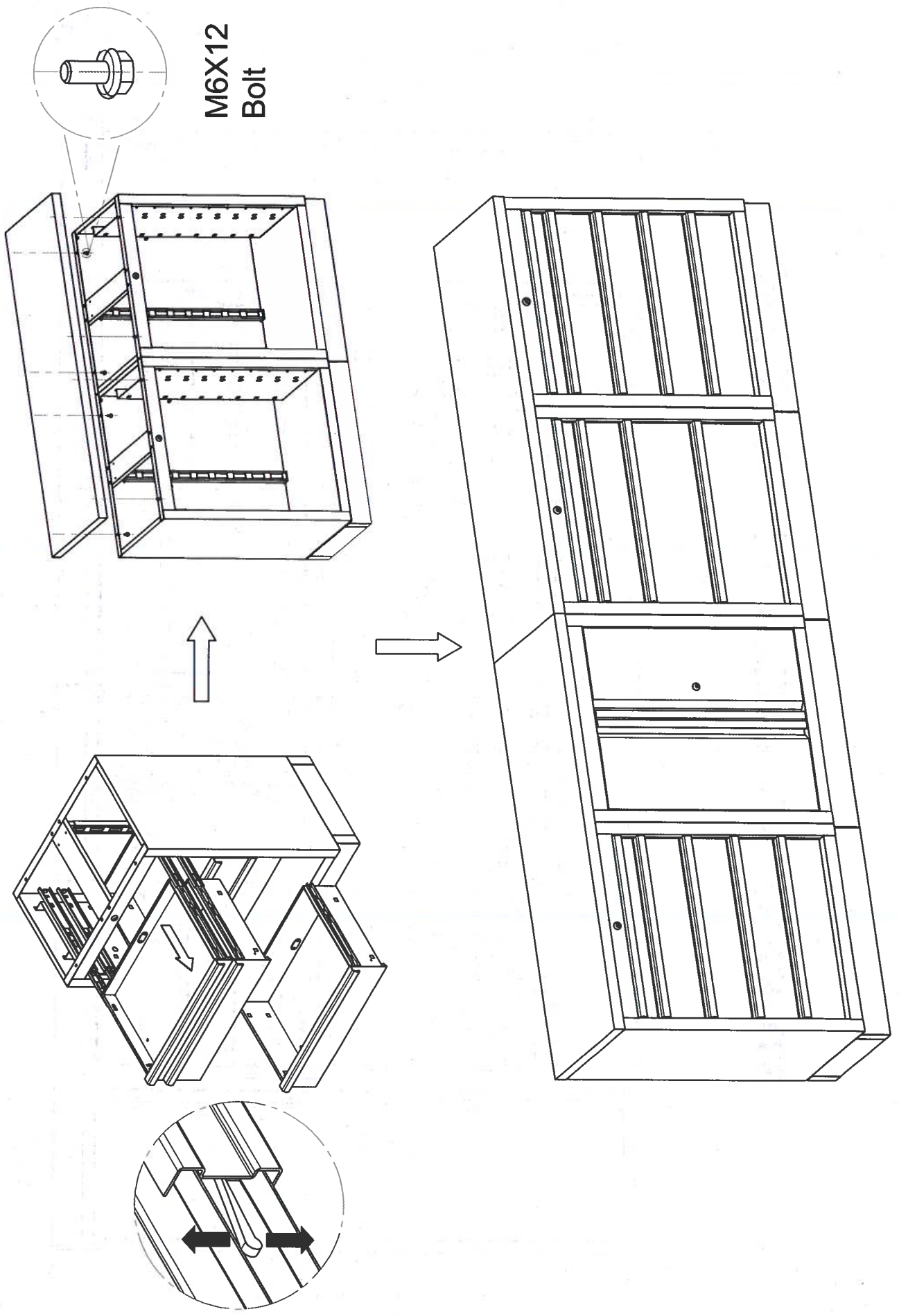


STORAGE ASSEMBLY INSTRUCTIONS

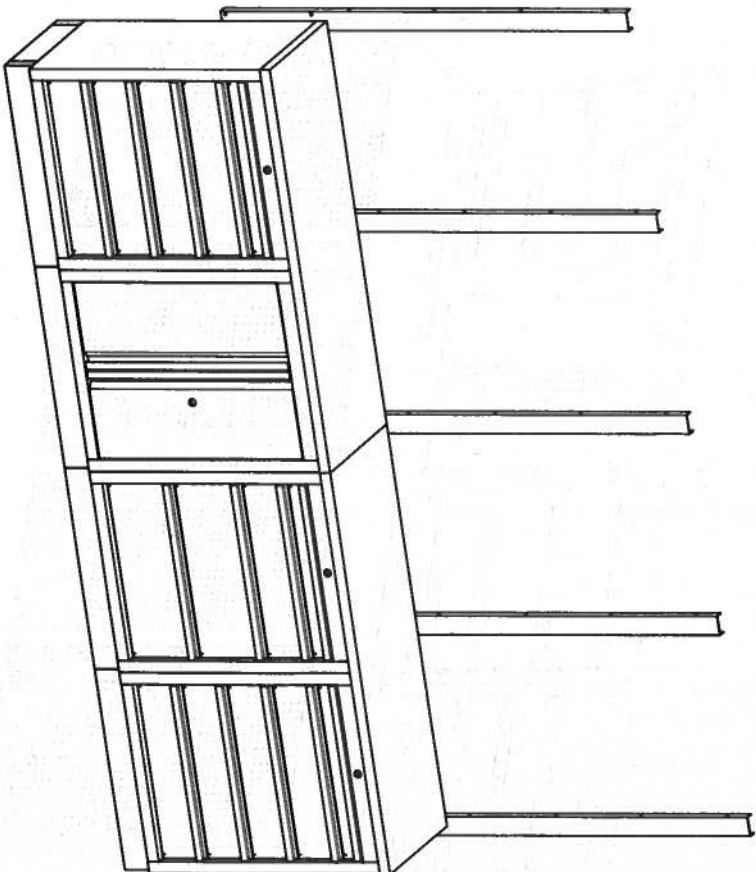
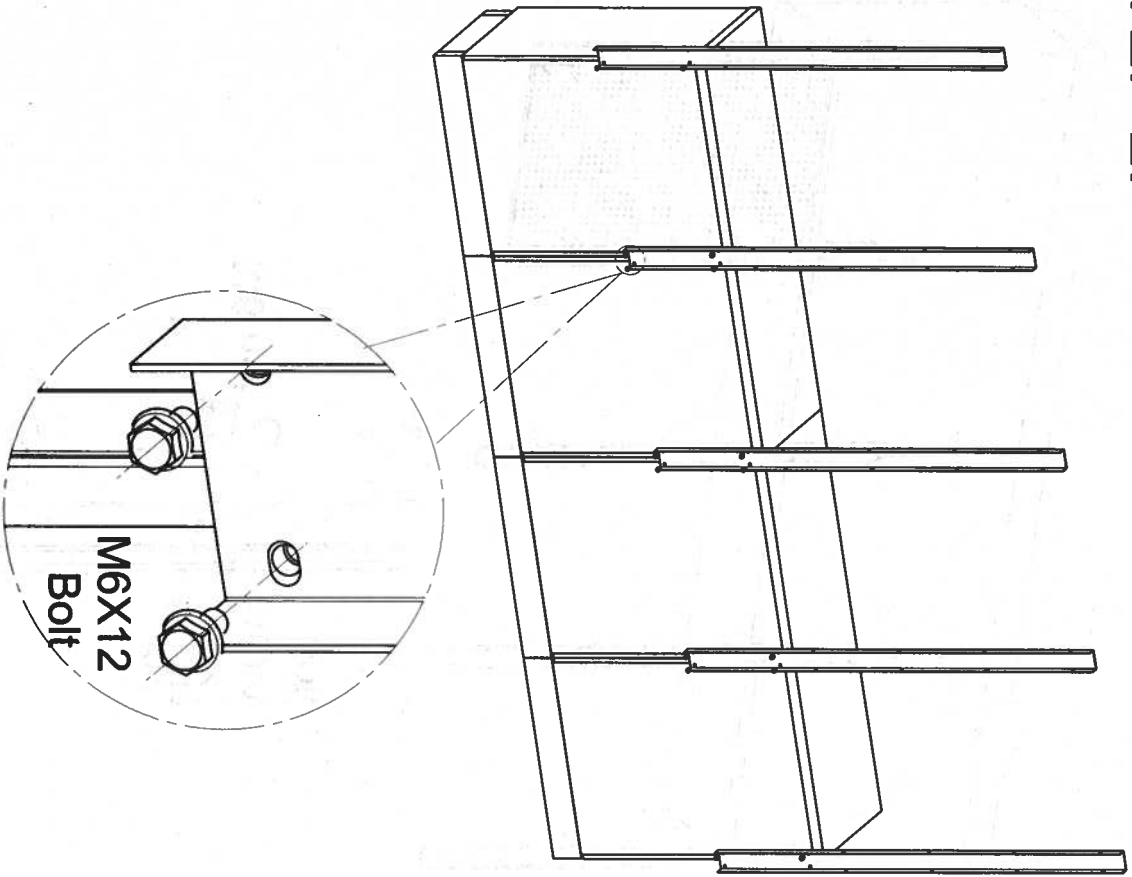


Step 1

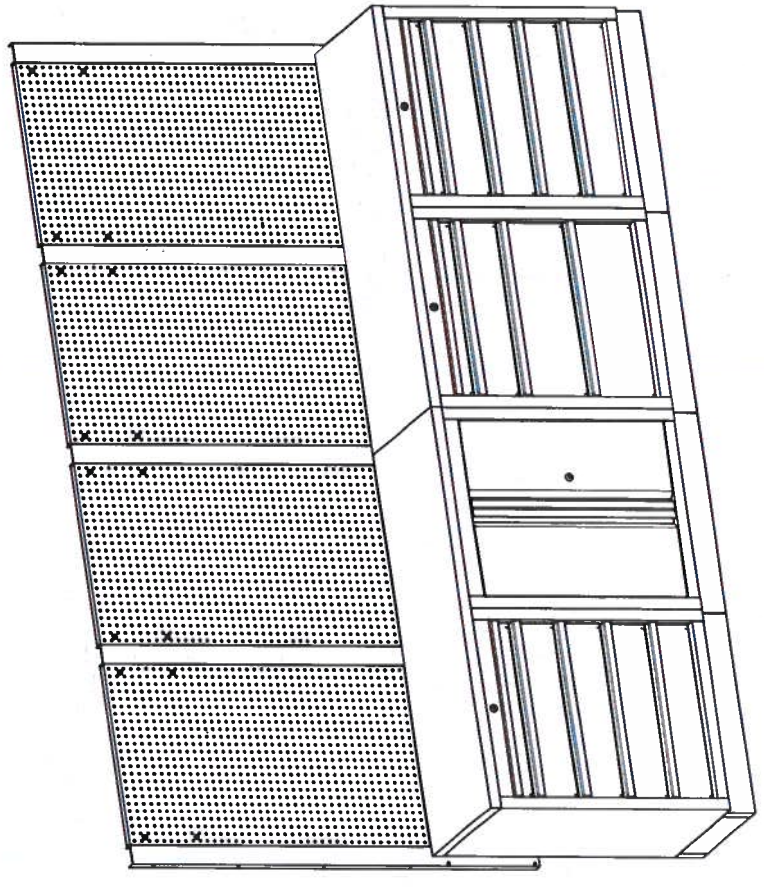
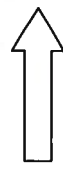
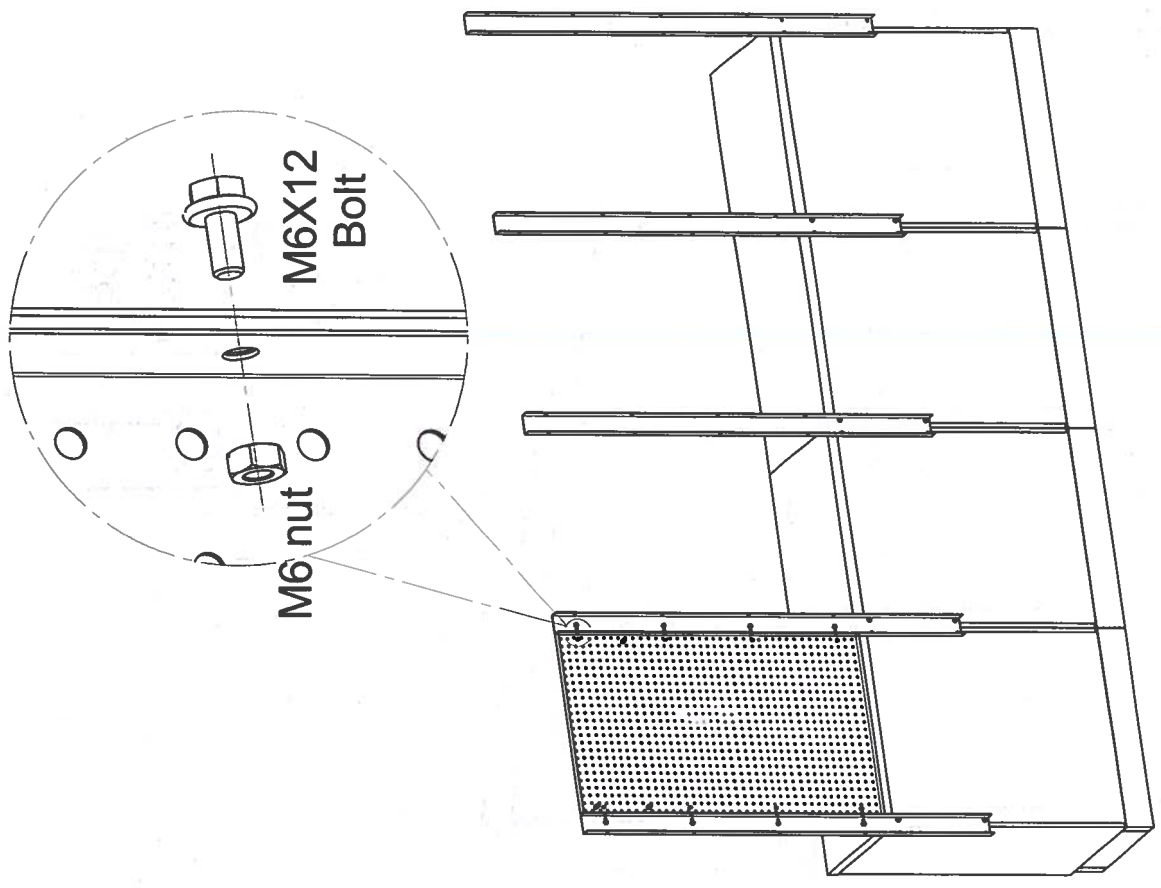
STEP 1.



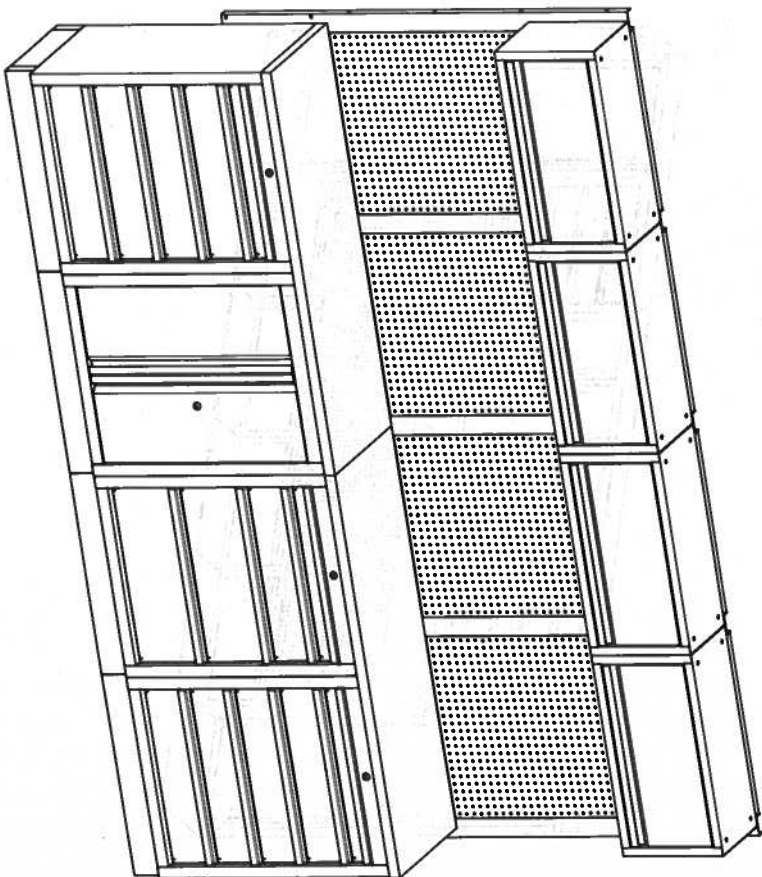
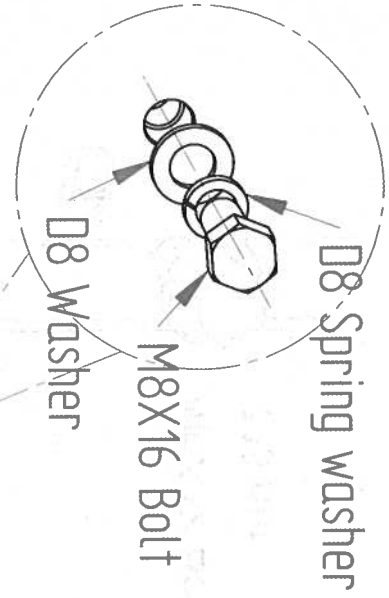
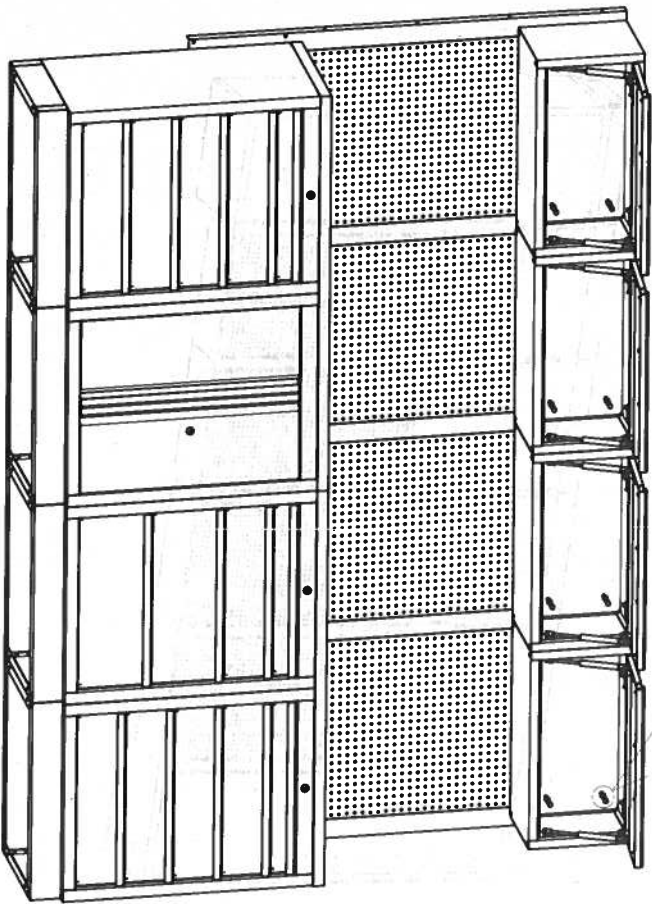
STEP 2.



STEP 3.

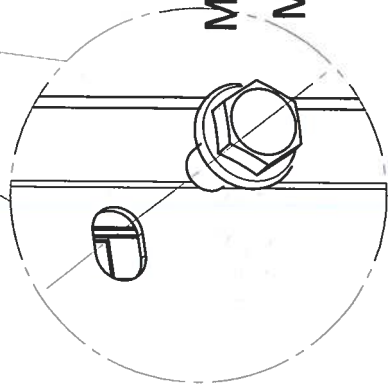
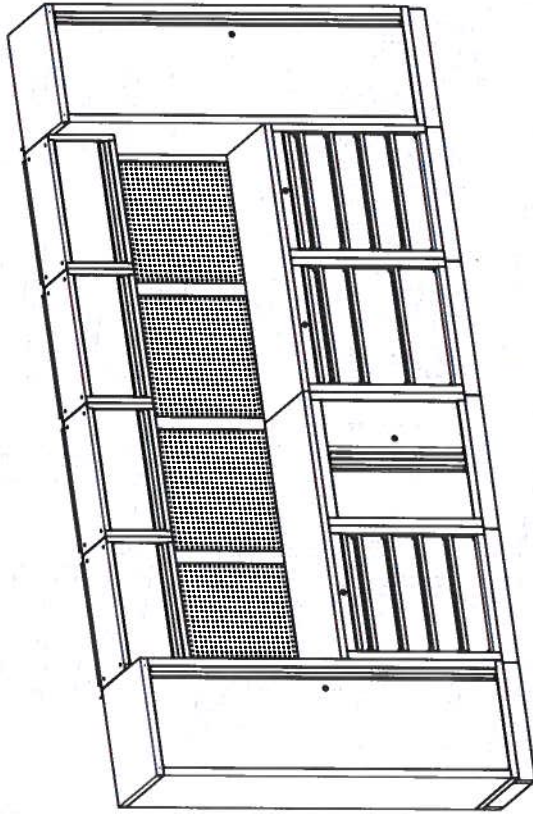
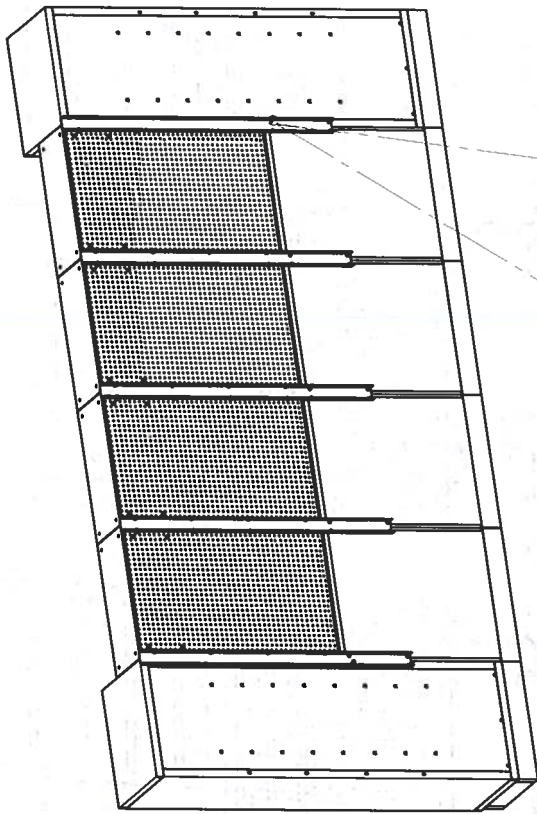


STEP 4.



STEP 2.

STEP 5.



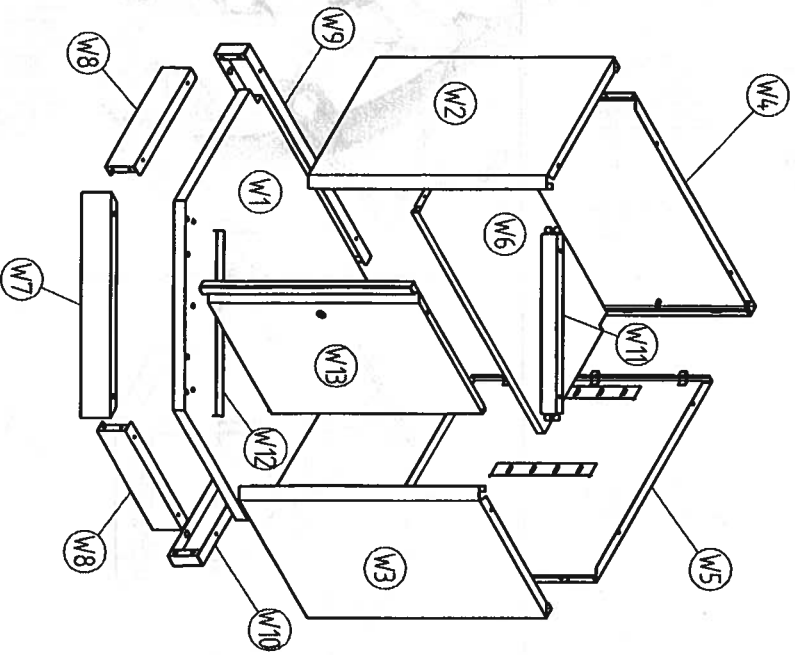
M6X12 Bolt

M6 nut

ASSEMBLY INSTRUCTIONS

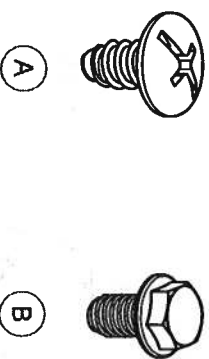
PARTS LIST

ITEM	DESCRIPTION	QTY.
W1	Bottom Panel	1
W2	Left Side Panel	1
W3	Right Side Panel	1
W4	Left Back Panel	1
W5	Right Back Panel	1
W6	Adjustable Shelf	1
W7	Base Front Panel	1
W8	Base short Side Panel	2
W9	Base long Side Panel	1
W10	Base back Panel	1
W11	Ledge Panel	1
W12	Baffle	1
W13	Door	1

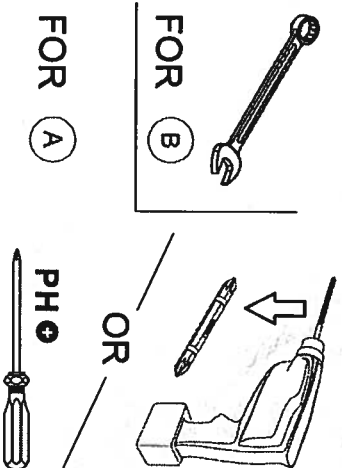


HARDWARE CONTENTS

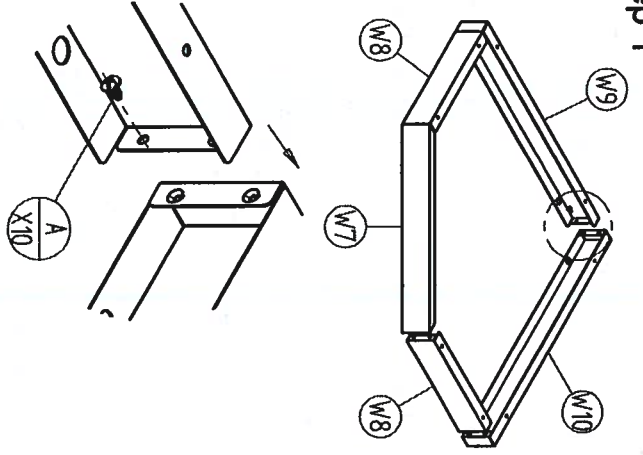
NO.	DESCRIPTION	QTY.
A	Screws ST6x12	21+1
B	Bolts M6x12	16



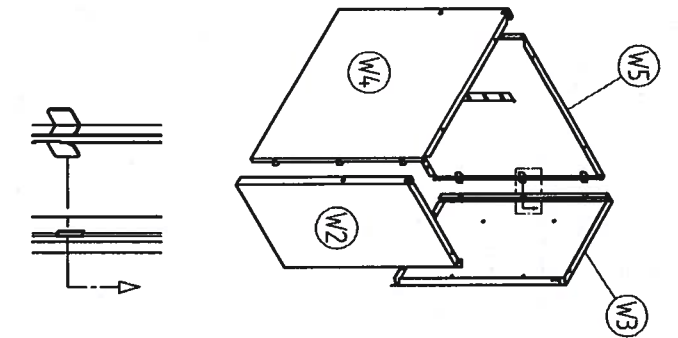
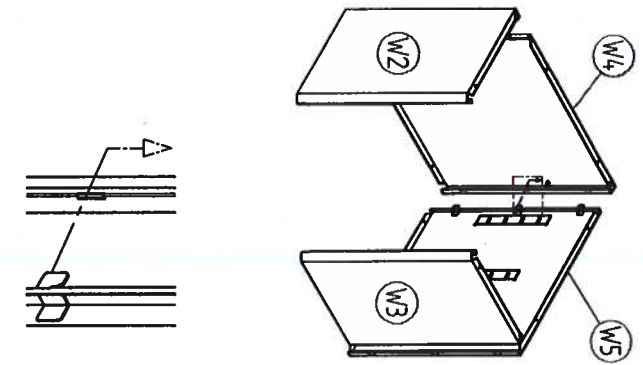
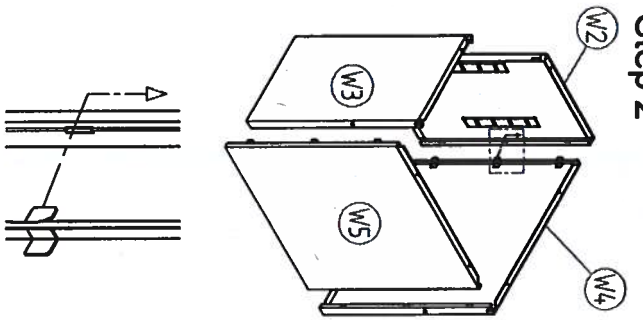
RECOMMENDED TOOLS FOR INSTALLATION



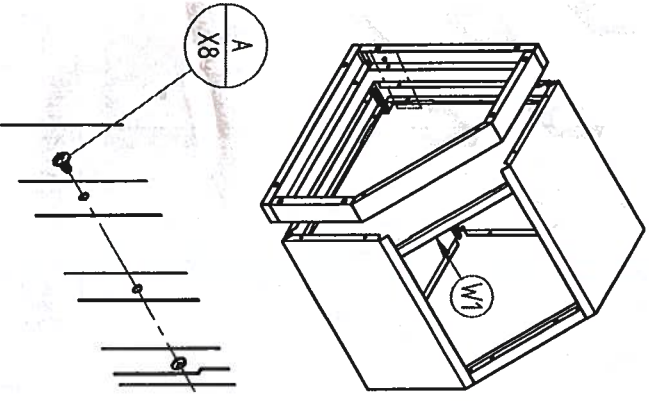
Step 1



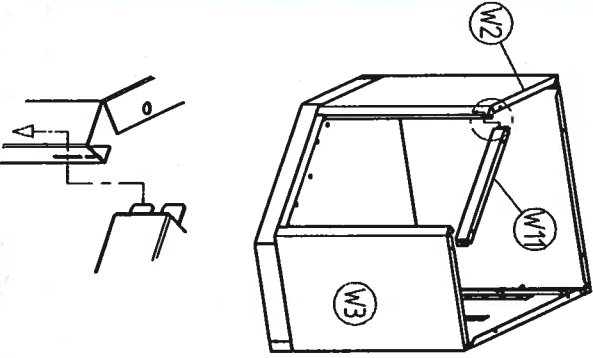
Step 2



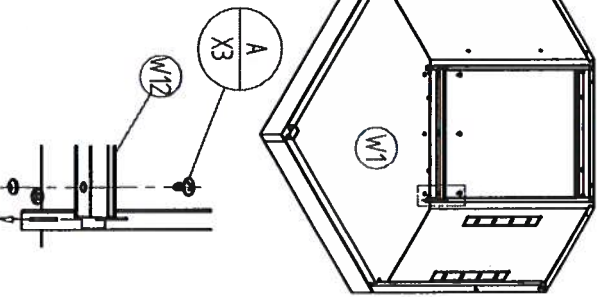
Step 3



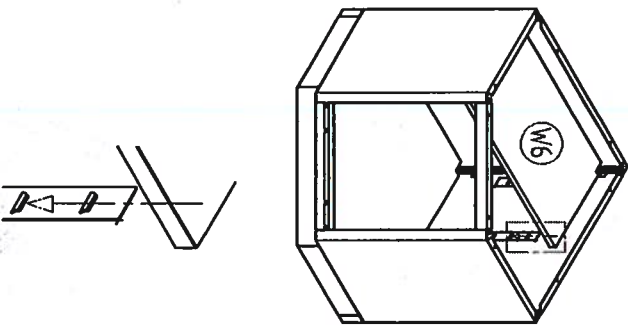
Step 4



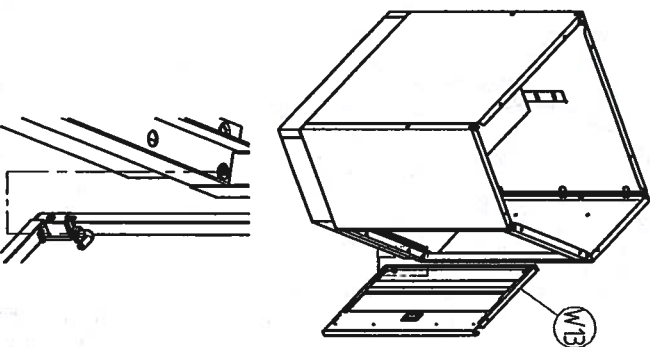
Step 5



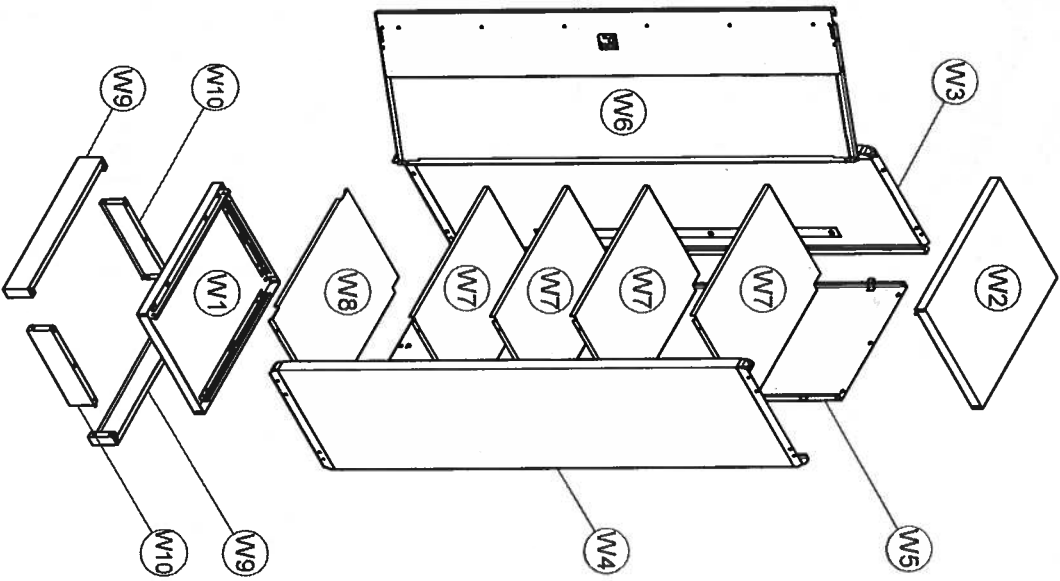
Step 6



Step 7



ASSEMBLY INSTRUCTIONS

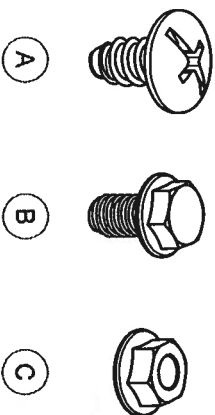


PARTS LIST

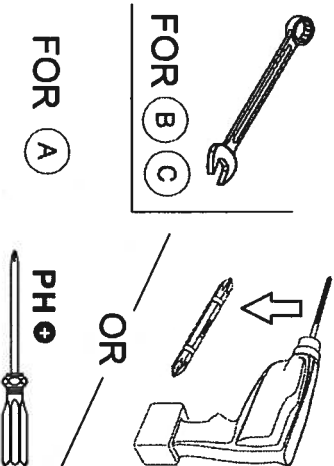
ITEM	DESCRIPTION	QTY.
W1	Bottom Panel	1
W2	Top Panel	1
W3	Left Side Panel	1
W4	Right Side Panel	1
W5	Back Panel	1
W6	Door	1
W7	Adjustable Shelf	4
W8	Bottom Shelf	1
W9	Base Front Panel	2
W10	Base Side Panel	2

HARDWARE CONTENTS

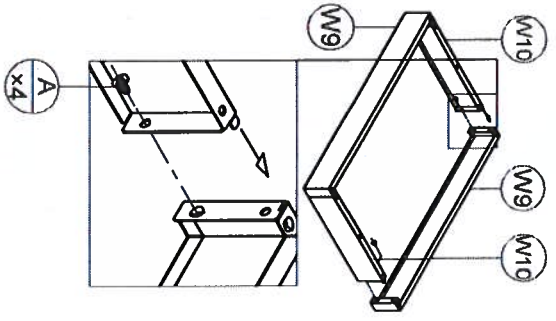
NO.	DESCRIPTION	QTY.
A	Screws ST6x12	18+1
B	Bolts M6x12	2
C	Nuts M6	2



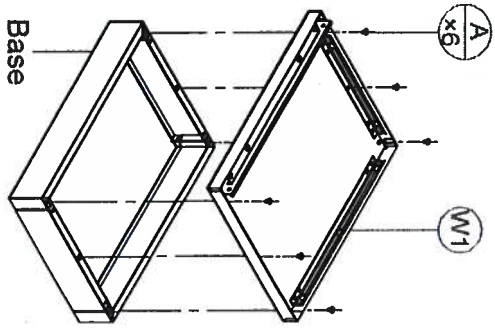
RECOMMENDED TOOLS FOR INSTALLATION



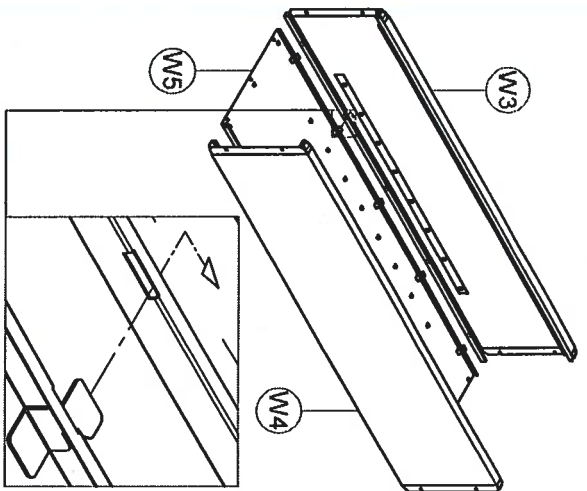
Step 1 (Base)



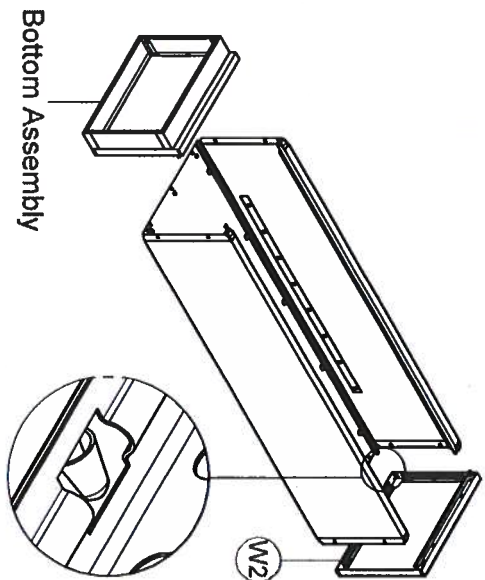
Step 2 (Bottom Assembly)



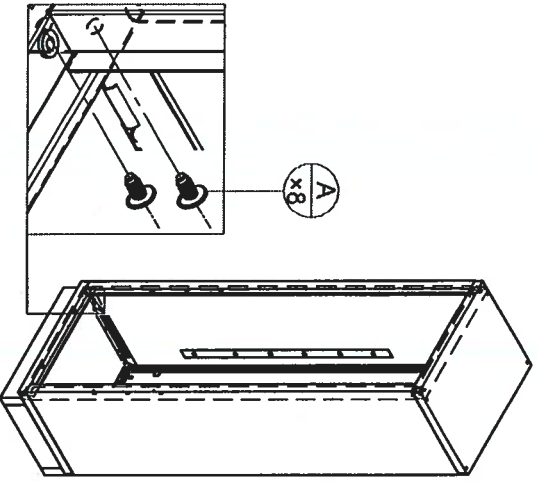
Step 3



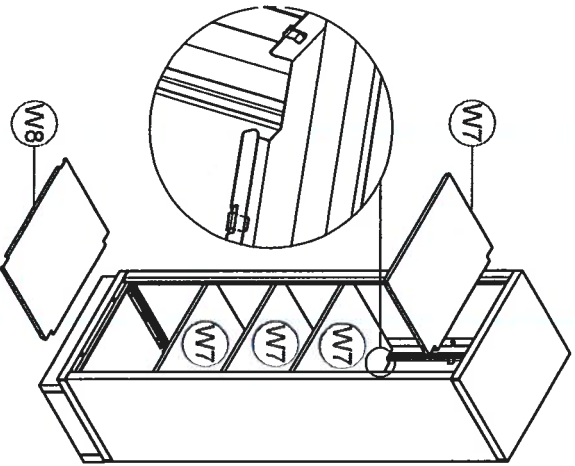
Step 4



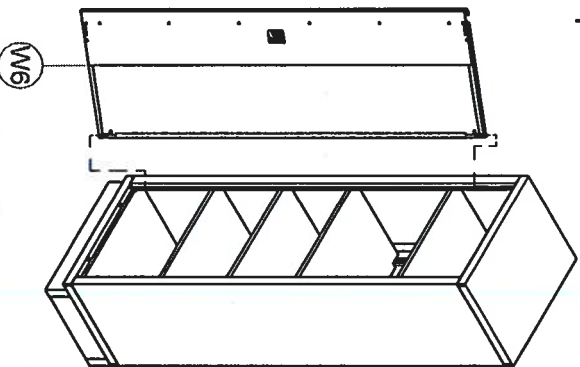
Step 5



Step 6



Step 7



Step 8

