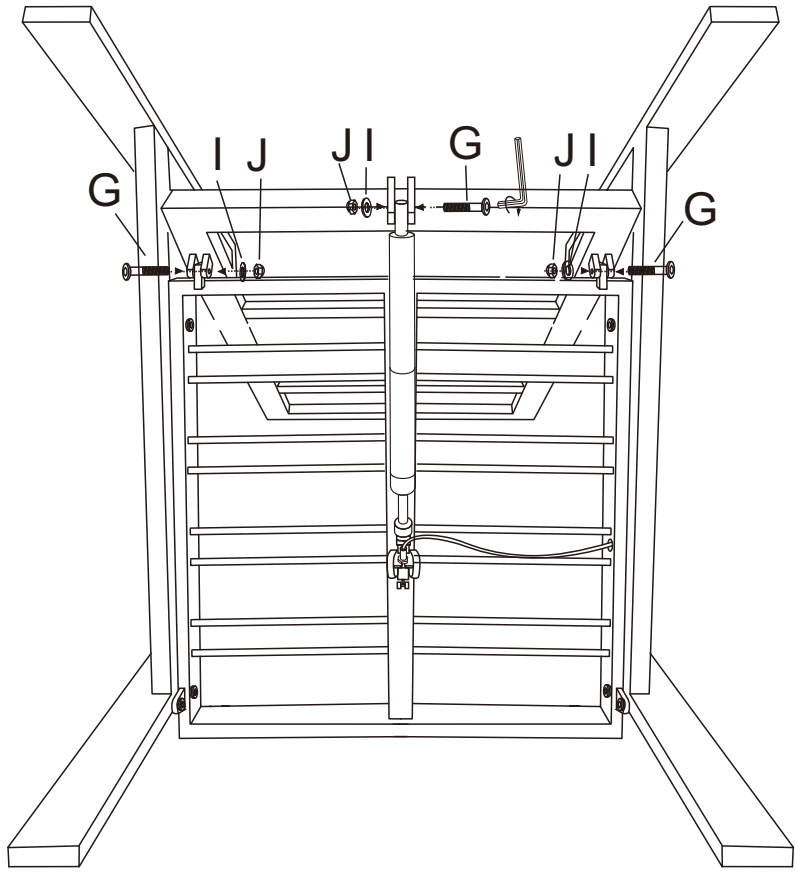
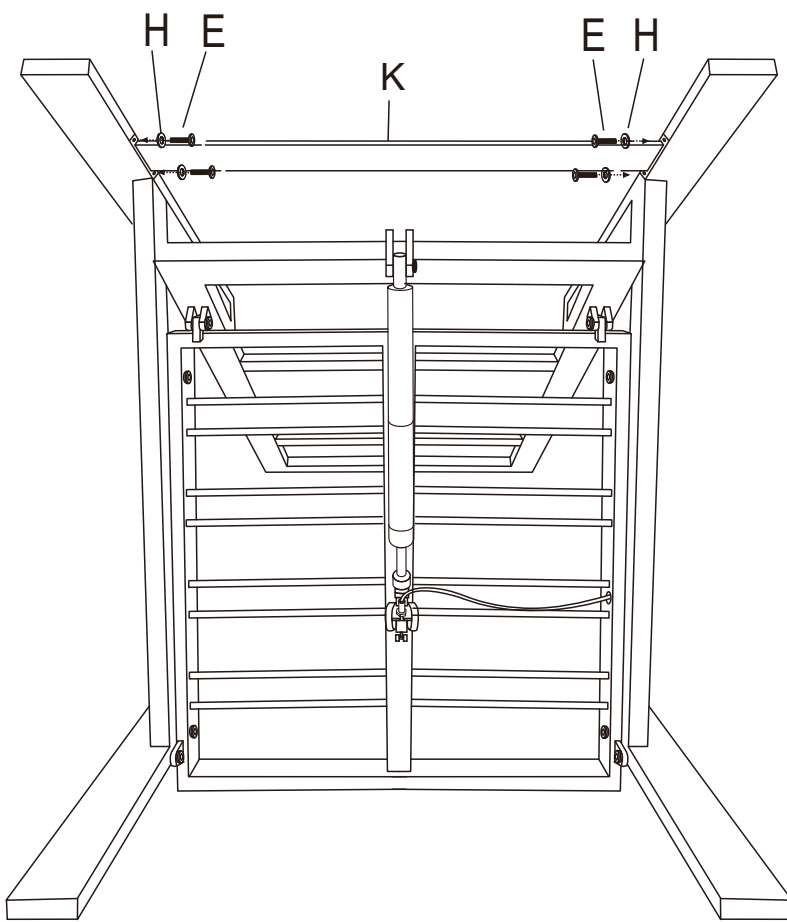


STEP 3



STEP 4



OK

