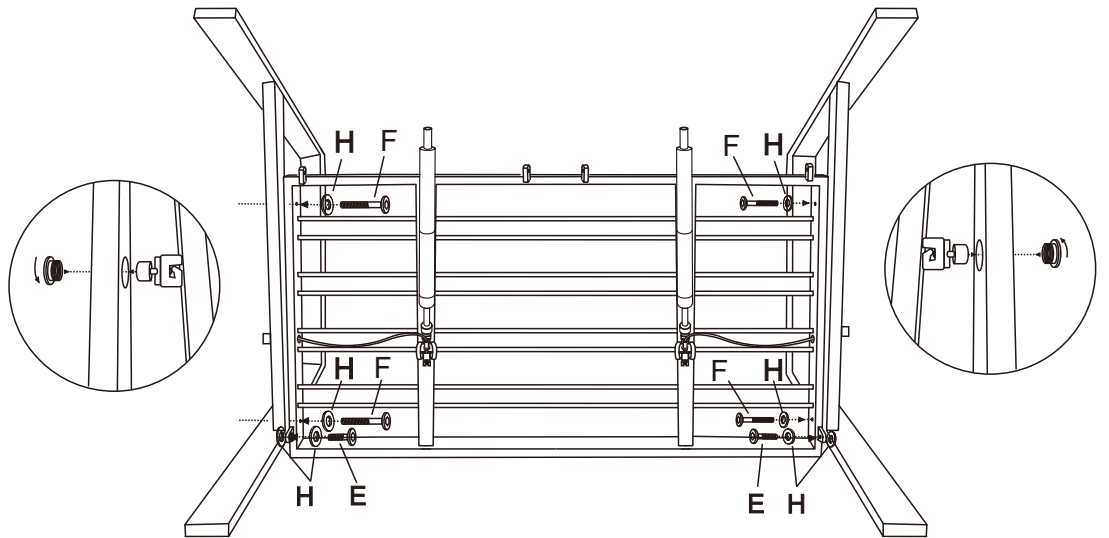


A		1
B		1
C		1
D		2
E		6
	M6*20	
F		4
	M6*35	
G		6
	M8*40	
H		12
	Φ6	
I		6
	Φ8	
J		6
	M8	
K		1

STEP 1



STEP 1

