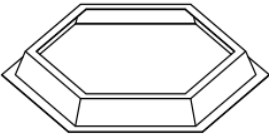
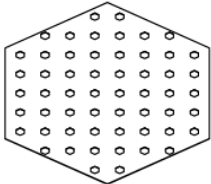
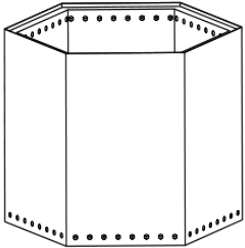
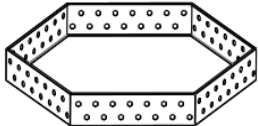
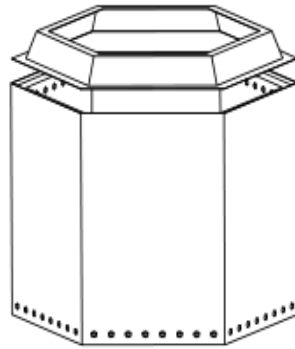


## Installation Steps

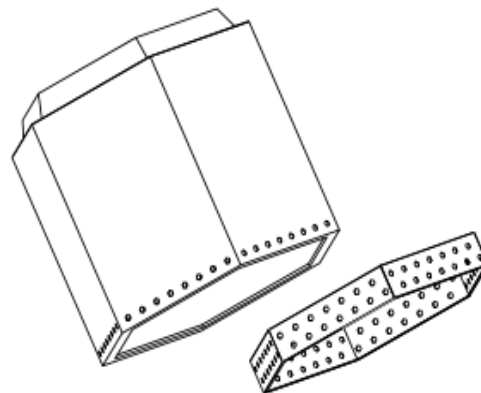
### Parts List

FIRE RING		1PC
GRATE		1PC
FIREPLACE BODY		1PC
STAND		1PC

Step 1: flip the ring over so the angled edges point upward



Step 2: place the stand under the fireplace body



Finished Fireplace

