





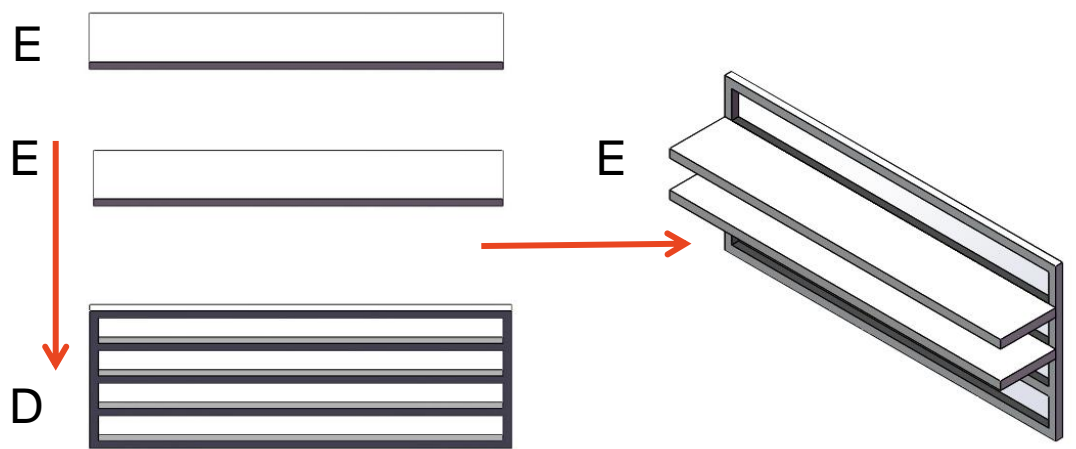


PARTS LIST


A	scew 1		3pcs
B	scew 2		8pcs
C	scew 3		6pcs
D	scew driver		1pcs

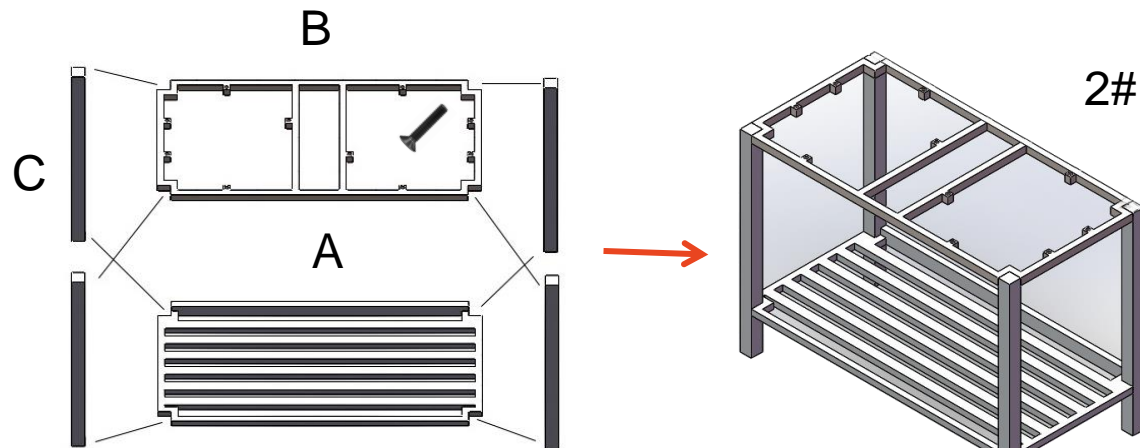
NO.	PARTS	QTY	NO.	PARTS	QTY
A		1PCS	D		1PCS
B		1PCS	E		2PCS
C		4PCS	F		1PCS

1# flexible assemble



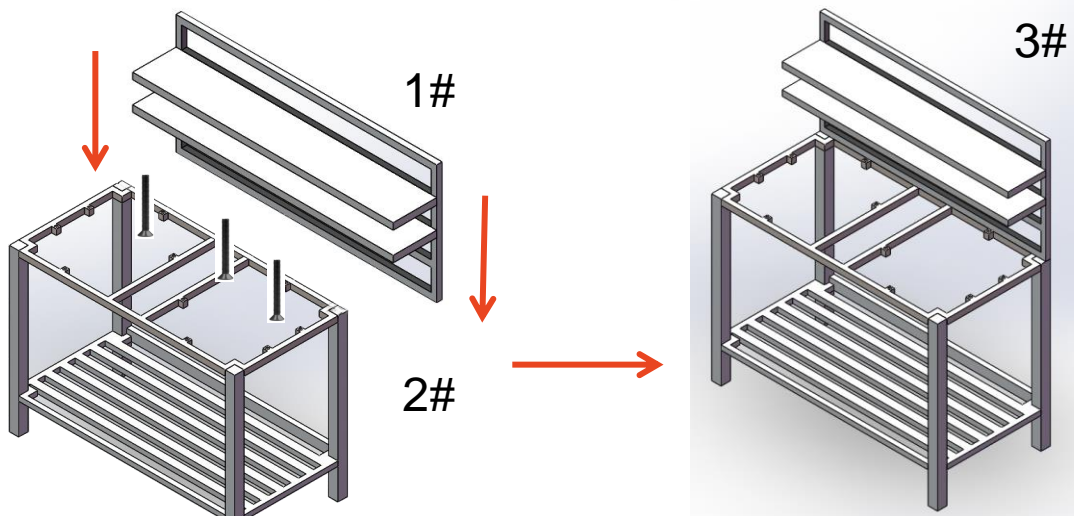
Fasten "E" part to "D" part's 1.2 layer

2# scew 2 



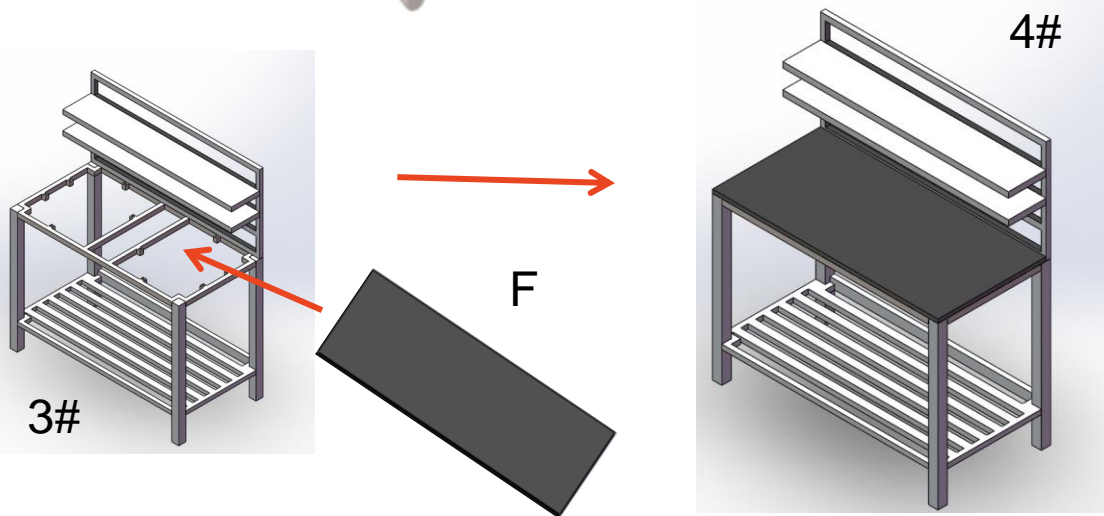
Screw 2 connect "C" part to "B" part, install "B" part first, then install "A" part

3# scew1 



Installed Figure 1# is fixed on "2#" part with screw 1

4# scew 3 



Put "F" on "3#" and fix it with screw 3