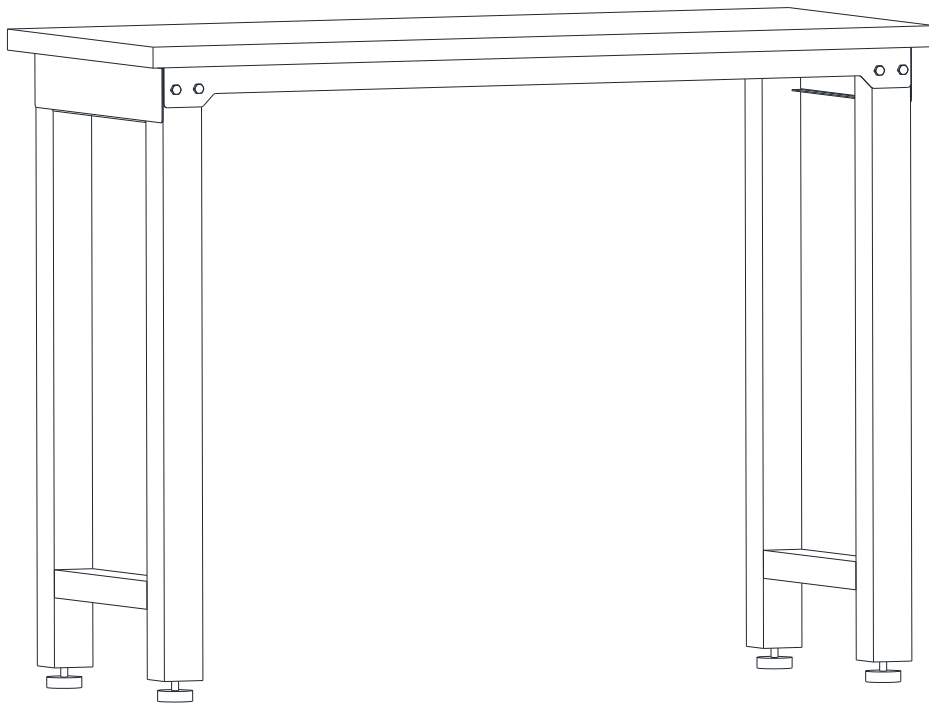


---

---

# HEAVY-DUTY WORKBENCH

## Assembly Manual

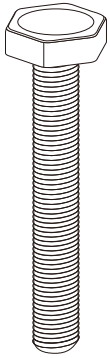


**⚠ CAUTION**

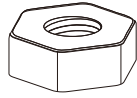
Read and follow all assembly directions and safety rules before first using this product. Retain this manual for future reference.

---

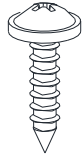
# HARDWARE INCLUDED



M8 X 75 bolt (8)



M8 nut (8)

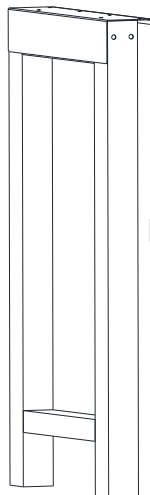
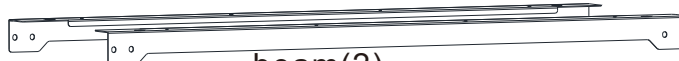


M5 X 15 bolt (22)

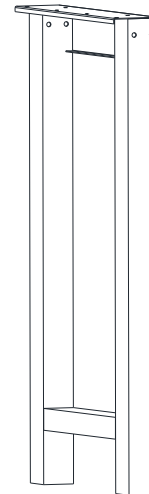
wooden top (1)



beam(2)



left leg(1)



right leg(1)



adjustable foot(4)



## SAFETY WARNINGS AND CAUTIONS

Use appropriate safety equipment when using tools. Failure to use appropriate equipment may cause injury or product damage.

DO NOT stand on this product.

DO NOT mount this workbench to a truck bed or any other vehicle or moving object. This may result in injury or damage to the product.

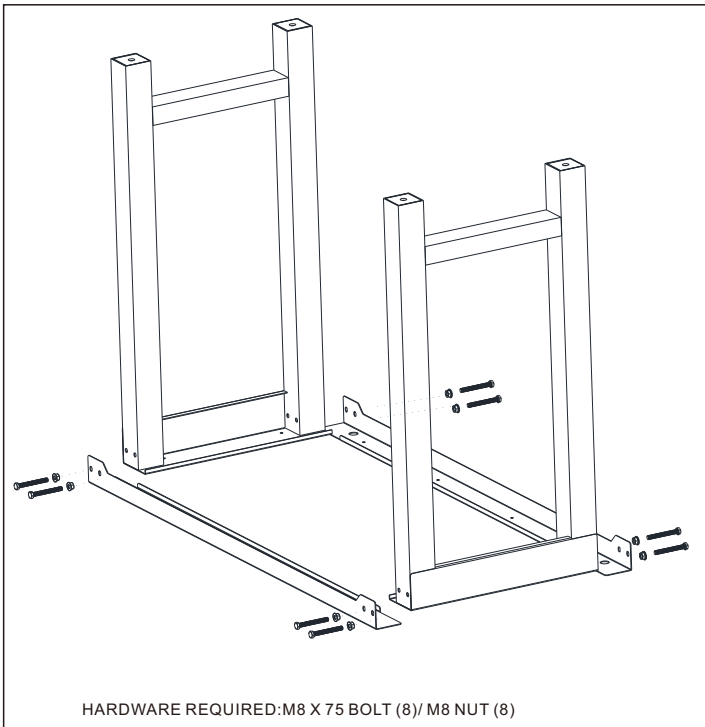
DO NOT alter this product. (Examples: do not weld accessories to this table or attach electrical equipment. This may cause injury or damage to the product.)

Keep workbench on level surfaces. The workbench may tip if moved or stored on an unstable surface, resulting in injury or damage to the product.

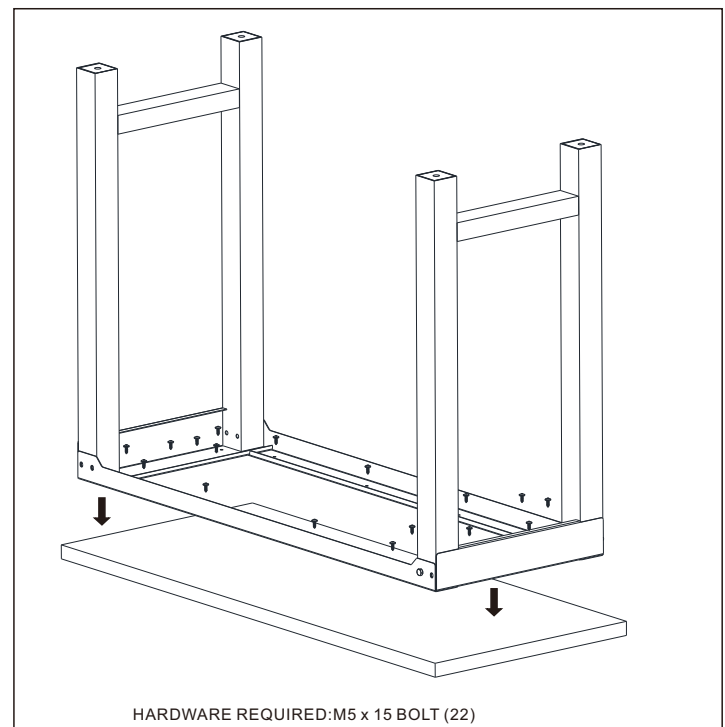
Maximum weight limit: 1000 lbs. Exceeding this weight limit may cause structural failure and collapse resulting in injury or damage to the product.

# ASSEMBLY

## STEP 1



## STEP 2



## STEP 3

