
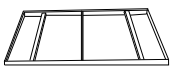

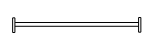




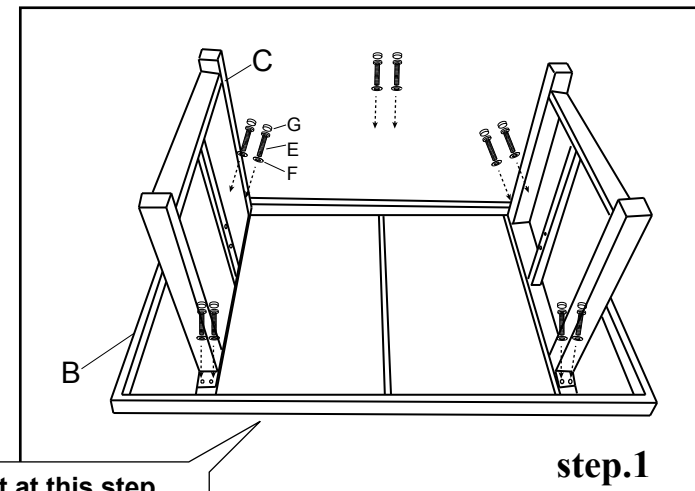


RECTANGLE TABLE

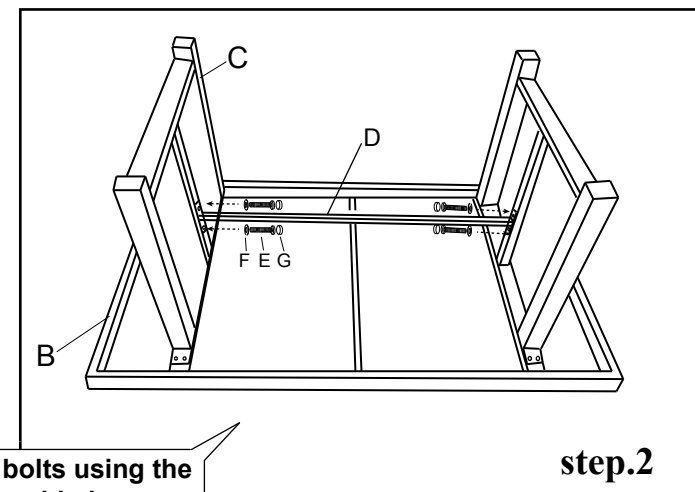
Assembly instruction

PARTS LIST			QTY
A	TABLE TOP		1
B	TABLE RIM		1
C	TABLE LEG		2
D	LEG CONNECTOR BRACKET		1
E	BOLT		12
F	MATEL WASHER		12
G	BOLT PLASTIC CAP		12
H	ALLEN WRENCH		1

for warranty purpose or to buy replacement parts always keep this item number



Do not fix too tight at this step.



Now tighten all bolts using the Allen Wrench provided.

