

PORTABLE CAR GARAGE

Model 42211

SET UP AND OPERATING INSTRUCTIONS



Distributed exclusively by Harbor Freight Tools®.

3491 Mission Oaks Blvd., Camarillo, CA 93011

Visit our website at: <http://www.harborfreight.com>



**Read this material before using this product.
Failure to do so can result in serious injury.
SAVE THIS MANUAL.**

Copyright© 1999 by Harbor Freight Tools®. All rights reserved. No portion of this manual or any artwork contained herein may be reproduced in any shape or form without the express written consent of Harbor Freight Tools. Diagrams within this manual may not be drawn proportionally. Due to continuing improvements, actual product may differ slightly from the product described herein. Tools required for assembly and service may not be included.

For technical questions or replacement parts, please call 1-800-444-3353.

SAVE THIS MANUAL

Keep this manual for the safety warnings and precautions, assembly, operating, inspection, maintenance and cleaning procedures. Write the product's serial number in the back of the manual near the assembly diagram (or month and year of purchase if product has no number). Keep this manual and the receipt in a safe and dry place for future reference.

IMPORTANT SAFETY INFORMATION

In this manual, on the labeling, and all other information provided with this product:



This is the safety alert symbol. It is used to alert you to potential personal injury hazards. Obey all safety messages that follow this symbol to avoid possible injury or death.

DANGER

DANGER indicates a hazardous situation which, if not avoided, will result in death or serious injury.

WARNING

WARNING indicates a hazardous situation which, if not avoided, could result in death or serious injury.

CAUTION

CAUTION, used with the safety alert symbol, indicates a hazardous situation which, if not avoided, could result in minor or moderate injury.

NOTICE

NOTICE is used to address practices not related to personal injury.

CAUTION

CAUTION, without the safety alert symbol, is used to address practices not related to personal injury.



WARNING Read all safety warnings and instructions.

Failure to follow the warnings and instructions may result in serious injury.

Save all warnings and instructions for future reference.

Assembly Precautions

1. Assemble only according to these instructions. Improper assembly can create hazards.
2. Wear ANSI-approved safety goggles, heavy-duty work gloves, and hardhat during assembly and service.
3. Keep assembly area clean and well lit.
4. Keep bystanders out of the area during assembly.
5. Do not assemble when tired or when under the influence of drugs or medication.
6. Anchor securely to flat, level, solid surface able to support shelter and vehicle.

Use Precautions

1. **DO NOT USE IN HIGH WIND.** Remove cover if harsh weather threatens.
2. Do not allow snow or debris to accumulate on shelter.

3. Do not allow children to play with or near this item.
4. Use this product as a vehicular garage or sheltered storage area only. Do not allow animals to enter. Do not use as a temporary or permanent habitation. Do not alter the garage in any way. Do not hang anything from the frame of the garage. Do not hang from or pull on any of the tubes. Do not climb on the frame.
5. Inspect before every use; do not use if parts loose or damaged.
6. Maintain product labels and nameplates. These carry important safety information. If unreadable or missing, contact Harbor Freight Tools for a replacement.
7. **BE ALERT TO POSSIBLE WIND DAMAGE; prolonged exposure to wind can cause fasteners and hardware to loosen as the frame flexes.** The Garage's frame strength will be compromised if fasteners and hardware are not tight. Periodically check that all fasteners and hardware are tight. Tubes, stakes, tie downs, and rope should also be periodically checked to make sure the unit is always structurally rigid.

Technical Specifications

Length: 16', 8-3/4"

Weight: 168 lb.

Base Width: 8'10-1/4"

Product Use: Use this portable shelter for small automobiles, motorcycles, equipment, etc.

Height: 7' 6-1/2"

Unpacking

Unpack and check contents of each box. If any parts are missing or broken, please call **Harbor Freight Tools** at **1-800-444-3353**. Make certain that you have all parts described on the Parts List on page 10.

Tools Required For Assembly

One (1) Standard Screwdriver, one (1) Try-Square, one hammer, a knife for cutting rope.

Assembly

Assembly is a four-part process: 1) Base assembly; 2) Roof assembly; 3) Attaching the Front and Back Cover; 4) Attaching the Tarpaulin.

Base Assembly

Parts Needed:

Part #	Description	Qty
12	Front Cover Fastening Rope	2
15	Fastening Rope Hanging Ring	4
16	Base Rubber Cover	4
17	Base Connecting Screws	14
18	Base Fastening Stake	18
19	Vertical Tubes	12
21	Base Connecting Square Tube	4
22	Base Connecting Brackets (riveted)	3 sets
23L	Outside Left Base	2
23R	Outside Right Base	2
24	Middle Base	2

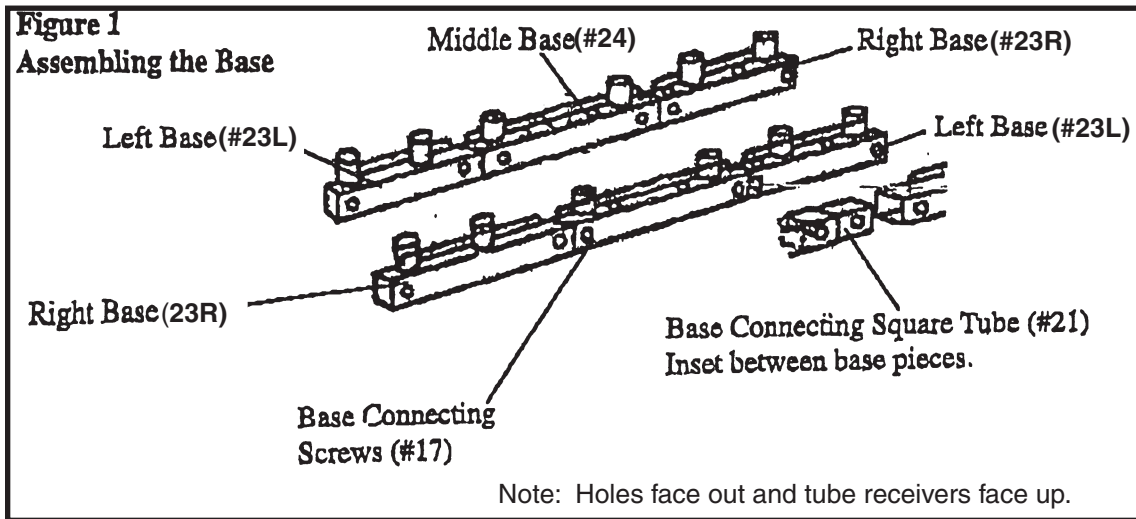
Rev 02d, 09a

SKU 42211

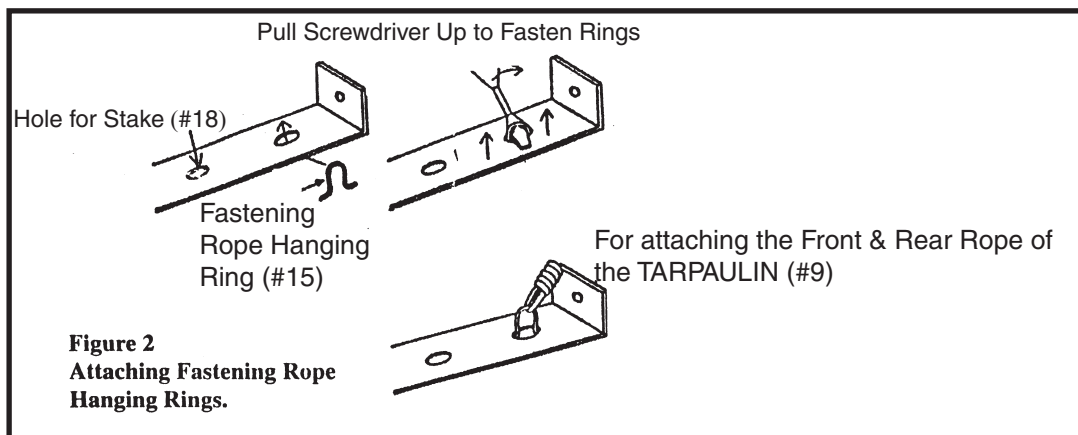
For technical questions, please call 1-800-444-3353.

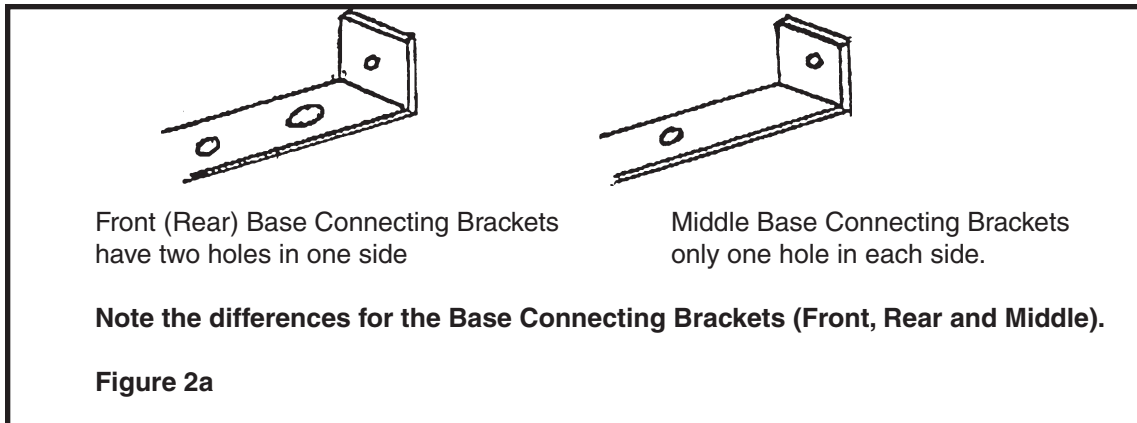
Page 3

- Step 1: Using two BASE CONNECTING SQUARE TUBES (#21), attach the OUTSIDE RIGHT BASES (23R) to the MIDDLE BASES (#24) as shown in Figure 1.
- Step 2: Using the remaining two BASE CONNECTING SQUARE TUBES, attach the OUTSIDE LEFT BASES (23L) to the MIDDLE BASES as shown in Figure 1.

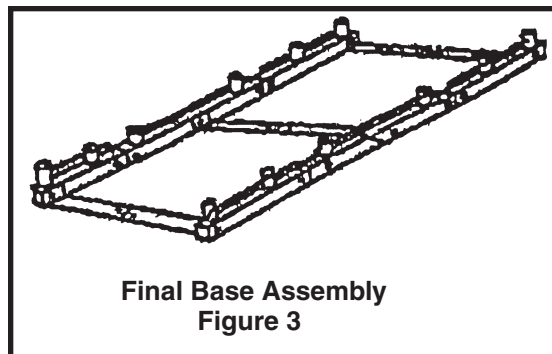


- Step 3: Fasten the "A" and "B" Base Assemblies using eight BASE CONNECTING SCREWS (#17). Do not tighten yet. See Figure 1.
- Step 4: Using a screwdriver to pull the rope through, attach the FASTENING ROPE HANGING RINGS (#15) to the outside holes of the FRONT and BACK BASE CONNECTING BRACKETS (#22). See Figure 2. Do not tighten yet. (Note the hole spacing differences on the different BRACKETS as shown in Figure 2a on the following page.)





Step 5: Using the remaining six (6) BASE CONNECTING SCREWS, attach the BASE CONNECTING BRACKETS to the "A" and "B" Base Assemblies as shown in Figure 3.



Step 6: Use a Tri-Square to make sure all corners are 90 degrees. Tighten all assembly hardware.

Step 7: Use the STAKES (part #18) to secure the Base Assembly to the ground.

Step 8: Cap the ends of the Base Assembly using the four BASE RUBBER COVERS (#16).

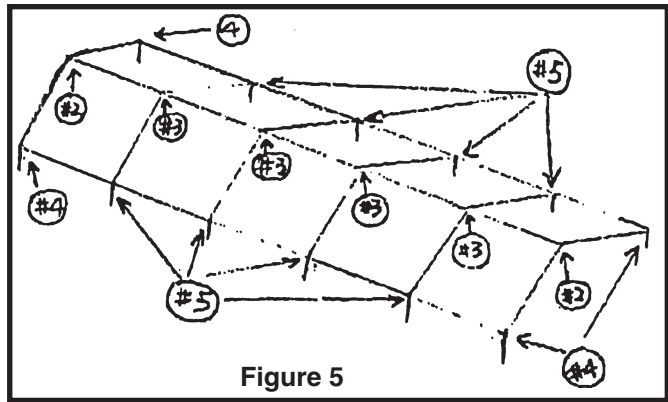
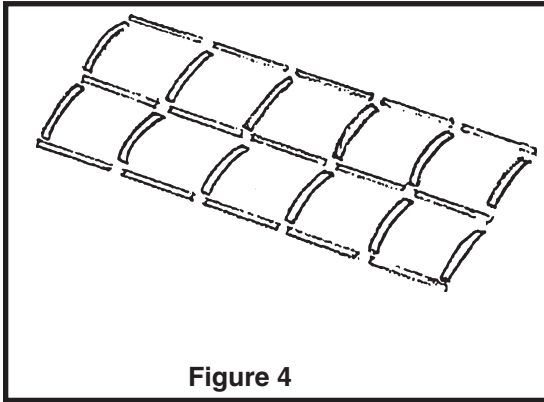
Roof Assembly

Parts Needed:

No	Qty.	Description
1	12	Roof Tube
2	2	Bent 3-Way-In-1 for Roof
3	4	Bent 4-Way-In-1 for Roof
4	4	Straight 3-Way-In-1 for Roof and Sides
5	8	Straight 4-Way-In-1 for Roof and Sides
19	12	Vertical Tubes
20	15	Horizontal Rods

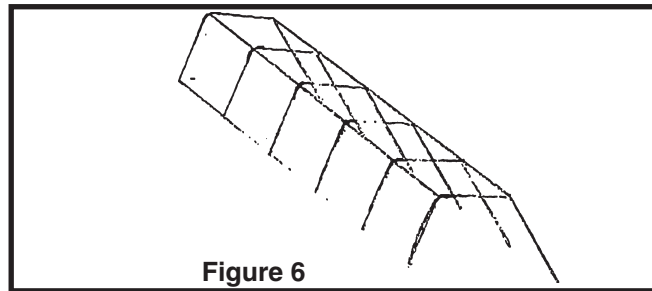
Step 1: Place the twelve (12) ROOF TUBES (#1) and fifteen (15) HORIZONTAL RODS (#20) as illustrated in Figure 4 on the following page.

Step 2: Connect the middle line using the two BENT 3-WAY-IN-1 and four BENT-4-WAY-IN-1 pipe fittings (parts #2 and #3) as shown in Figure 5. Note the UP and DOWN sides of the ROOF TUBES.

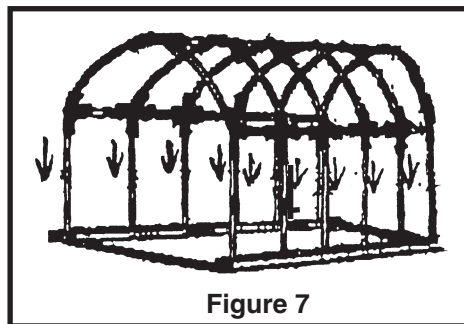


Step 3: Connect the two side lines using the four (4) straight 3-WAY-IN-1 and eight (8) straight 4-WAY-IN-1 pipe fittings (parts #4 and #5) as shown above in Figure 5.

Step 4: Lift one side of the roof and slide in six (6) VERTICAL TUBES (part #19). Once one side is complete, repeat for the other side. See Figure 6.



Step 5: Insert the twelve VERTICAL TUBES (#19) into the receivers of the Base Assembly as shown in Figure 7.



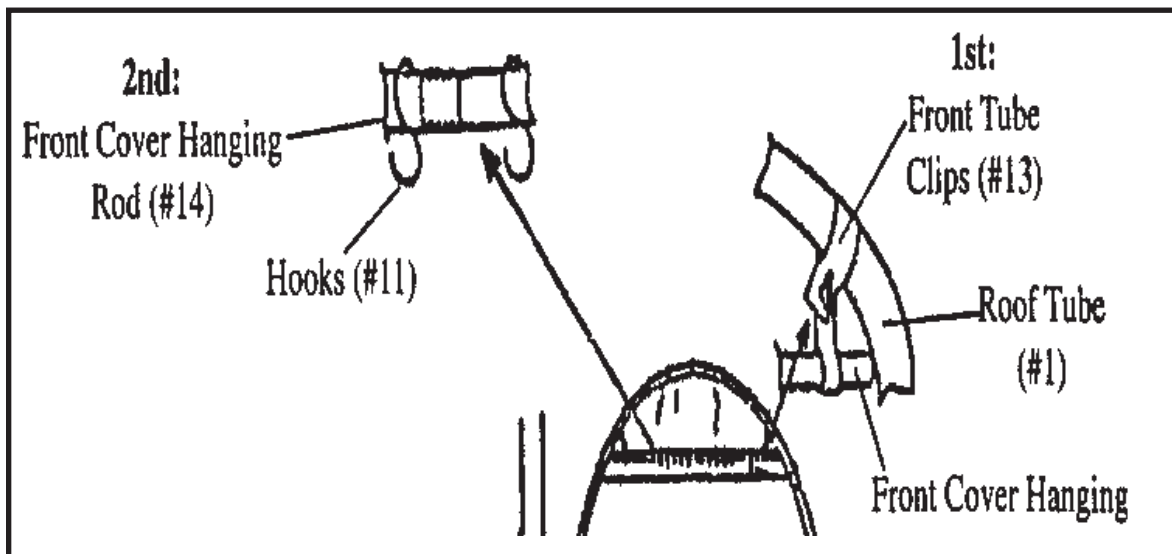
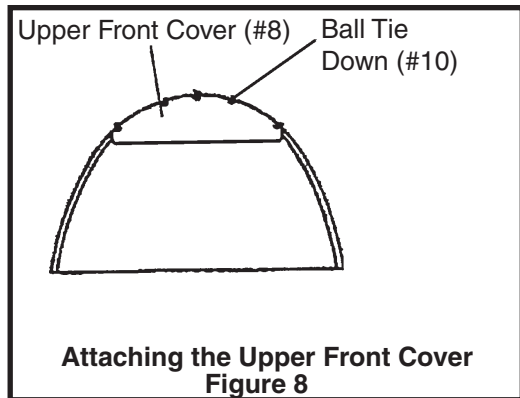
Attaching the Front and Back Covers

No.	Qty	Description
6	1	Back Cover
7	1	Front Cover
8	1	Upper Front Cover
10	48	Ball Tie Down
11	4	Hooks
12	2	Front Cover Fastening Ropes
13	2	Front Tube Clip
14	1	Front Cover Hanging Rod

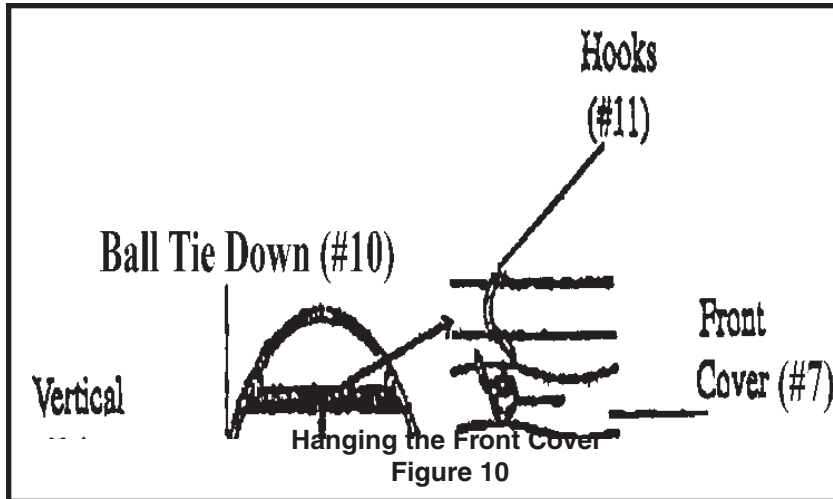
Step 1: Starting from the middle and working outward, hang the UPPER FRONT COVER (part #8) using the five (5) BALL TIE DOWNS (part #10). See Figure 8.

Step 2: Using the two FRONT TUBE CLIPS (#13), attach the FRONT COVER HANGING ROD (#14) to the ROOF TUBE (#1) as shown in Figure 9. The FRONT COVER HANGING ROD should be 4 inches above the bottom edge of the UPPER FRONT COVER when attached. Tighten using the FRONT TUBE CLIP butterfly screws. See Figure 8.

Step 3: Hang the HOOKS (#11) on the FRONT COVER HANGING ROD. Space them out evenly. See Figure 9.



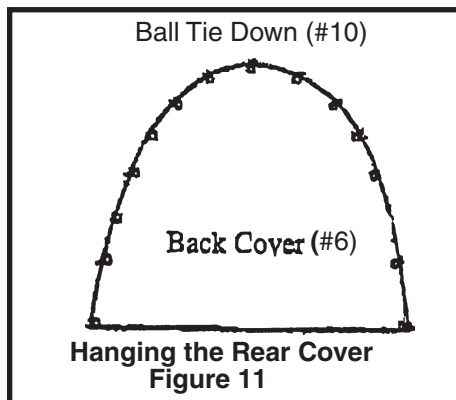
Step 4: Attach the FRONT COVER FASTENING ROPE (#12) onto the Upper Wall Ridge so that the FRONT COVER can be tied back when it needs to be held open. Refer to Figure 10.



Step 5: Hang the FRONT COVER (#7) on the Hooks. See Figure 10.

Step 6: Attach the FRONT COVER to the VERTICAL TUBES (#19) using ten additional BALL TIE DOWNS (#10). See Figure 10.

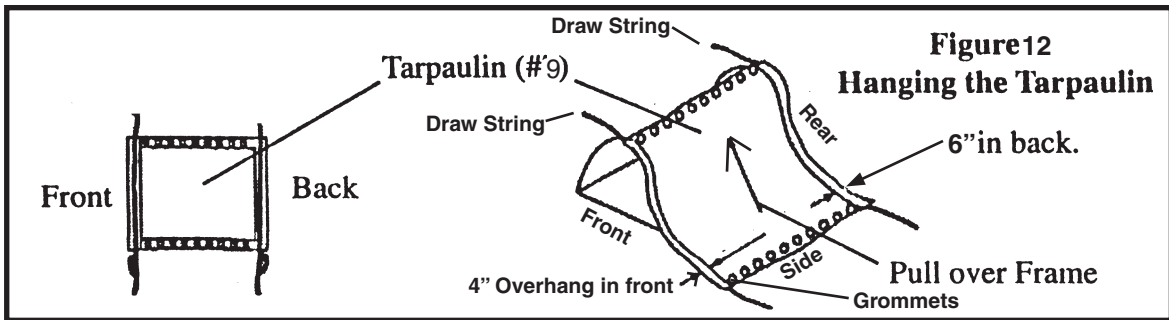
Step 7: Using two more BALL TIE DOWNS, attach the two bottom pieces of the UPPER FRONT COVER so that the COVER wraps around the Hanging Rod.



Step 8: Hang the BACK COVER (#6) using 15 BALL TIE DOWNS. See Figure 11.

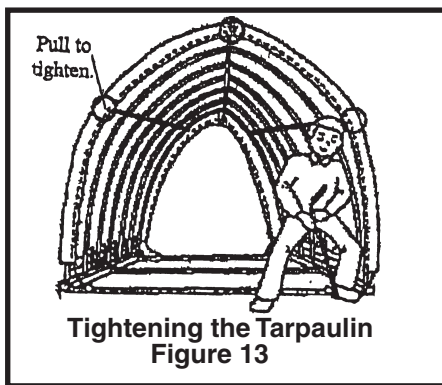
Attaching the Tarpaulin

Step 1: Pull the Tarpaulin (part #9) over the Frame as shown in Figure 12 on the next page.



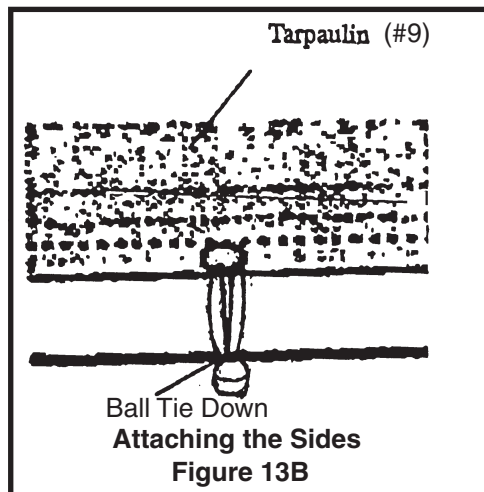
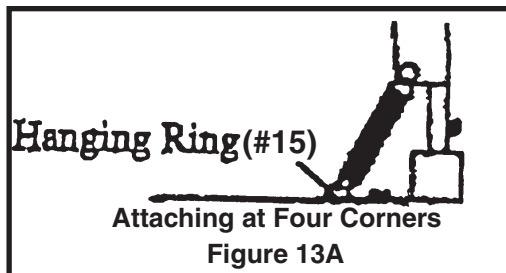
Step 2: Position the TARPULIN so that 4 inches hangs over in front, and six inches hangs over in the rear. Pull it tight at the positions marked "O" in Figure 13.

Note: To properly install the Tarpaulin it must be positioned so the grommets are on the sides of the frame, and the draw strings are at the front and rear of the Frame, as shown in Figure 12.



Step 3: Attach the Front and Rear Rope of the Tarpaulin to the FASTENING ROPE HANGING RINGS (#15) at each corner. See Figure 13A.

Step 4: Attach the sides of the Tarpaulin using the remaining BALL TIE DOWNS. See Figure 14B.



Unpacking

UNPACK AND CHECK CONTENTS

When unpacking your Garage, check to make sure the following parts are included. If any parts are missing or broken, please call **HARBOR FREIGHT TOOLS** at **1-800-444-3353**.

Parts List-42211

Box A

Part #	Description	Quantity
1	Roof Tube	12
2	Bent 3-Way-In-1 for Roof	2
3	Bent 4-Way-In-1 for Roof	4
4	Straight 3-Way-In-1 for Roof and Sides	4
5	Straight 4 Way-In-1 for Roof and Sides	8
6	Back Cover	1
7	Front Cover	1
8	Upper Front Cover	1
9	Tarpaulin	1
10	Ball Tie Down	48
11	Hooks	4
12	Front Cover Fastening Rope	2
13	Front Tube Clip	2
14	Front Cover Hanging Rod	1
15	Fastening Rope Hanging Ring	4
16	Base Rubber Cover	4
17	Base Connecting Screws	14
18	Base Fastening Stake	18

Box B

Part #	Description	Quantity
19	Vertical Tubes	12
20	Horizontal Rods	15
21	Base Connecting Square Tube	4

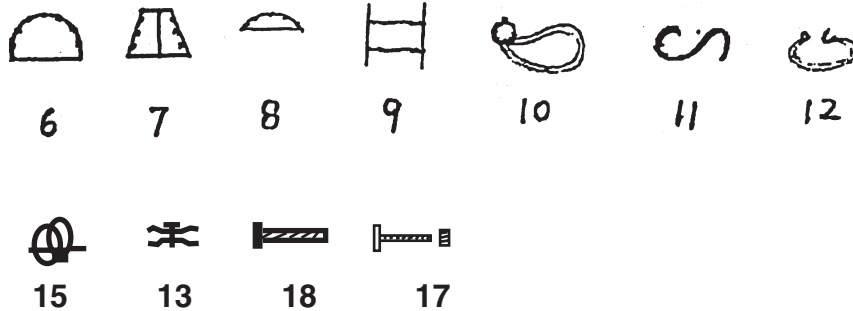
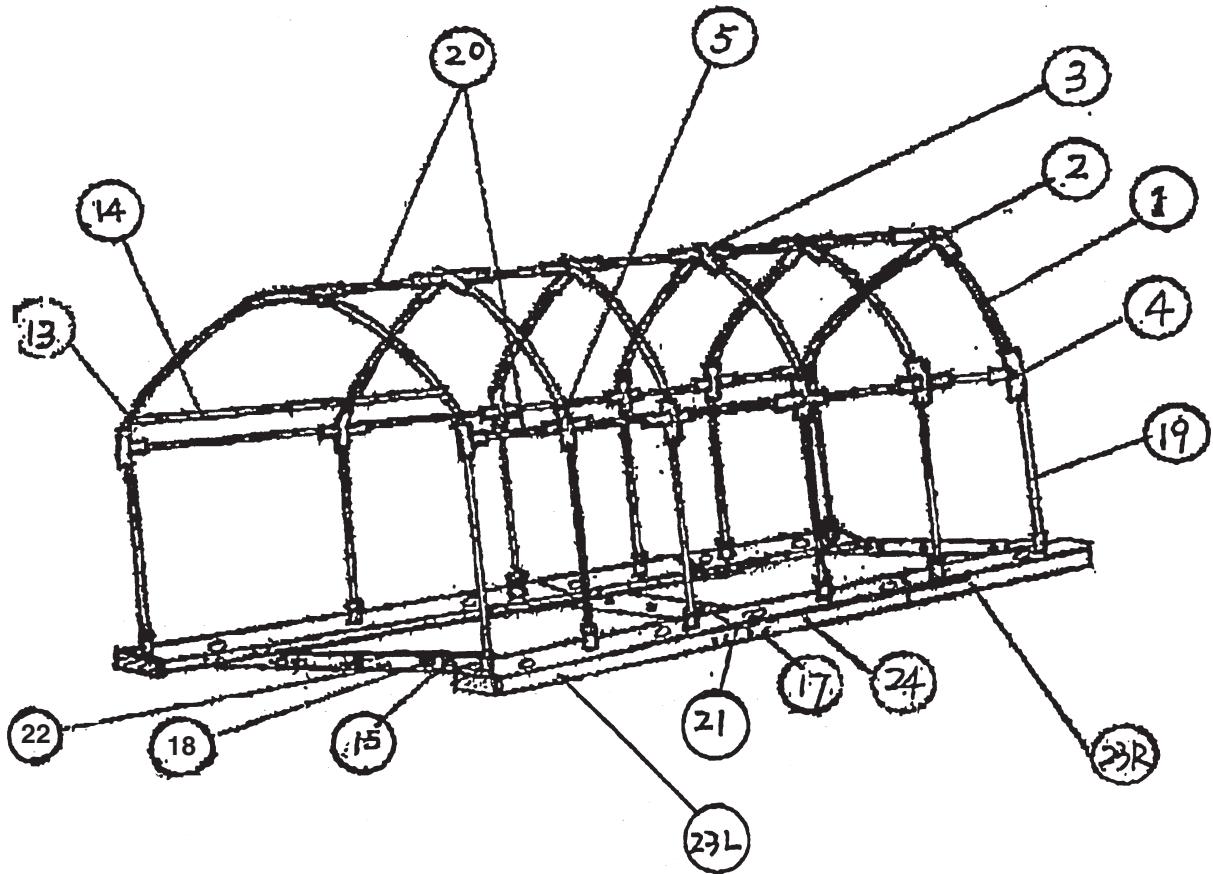
Box C

Part #	Description	Quantity
22	Base Connecting Brackets (riveted)	3 sets
23L	Outside Left Base	2
23R	Outside Right Base	2
24	Middle Base	2

PLEASE READ THE FOLLOWING CAREFULLY

THE MANUFACTURER AND/OR DISTRIBUTOR HAS PROVIDED THE PARTS DIAGRAM IN THIS MANUAL AS A REFERENCE TOOL ONLY. NEITHER THE MANUFACTURER NOR DISTRIBUTOR MAKES ANY REPRESENTATION OR WARRANTY OF ANY KIND TO THE BUYER THAT HE OR SHE IS QUALIFIED TO MAKE ANY REPAIRS TO THE PRODUCT OR THAT HE OR SHE IS QUALIFIED TO REPLACE ANY PARTS OF THE PRODUCT. IN FACT, THE MANUFACTURER AND/OR DISTRIBUTOR EXPRESSLY STATES THAT ALL REPAIRS AND PARTS REPLACEMENTS SHOULD BE UNDERTAKEN BY CERTIFIED AND LICENSED TECHNICIANS AND NOT BY THE BUYER. THE BUYER ASSUMES ALL RISK AND LIABILITY ARISING OUT OF HIS OR HER REPAIRS TO THE ORIGINAL PRODUCT OR REPLACEMENT PARTS THERETO, OR ARISING OUT OF HIS OR HER INSTALLATION OF REPLACEMENT PARTS THERETO.

Assembly Diagram-42211



Record Serial Number Here: _____

Note: If product has no serial number, record month and year of purchase instead.

Note: Some parts are listed and shown for illustration purposes only, and are not available individually as replacement parts.