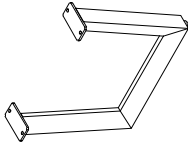

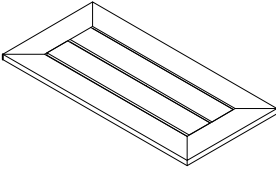



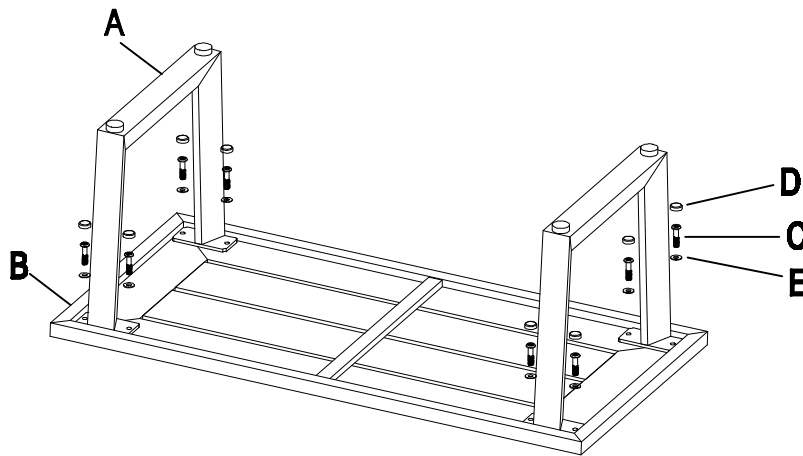


ASSEMBLY INSTRUCTION DINING TABLE

PARTS LIST

A	TABLE LEG		2	D	PLASTIC BOLT CAP		8
B	TABLE TOP		1	E	METAL WASHER		8
C	BOLT (M6*15MM)		8	F	ALLEN WRENCH		1

Step 1



Step 2

