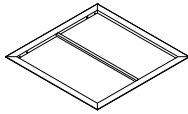

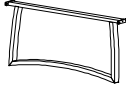





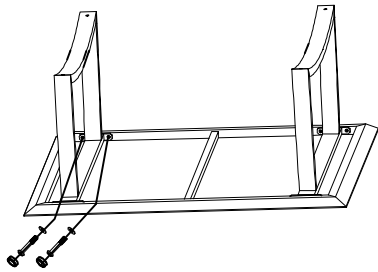


ASSEMBLY INSTRUCTION DINING TABLE

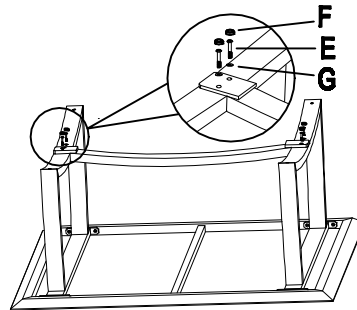
PARTS LIST

A	TABLE TOP		1	E	BOLT (M6 x 20 MM)		12
B	TABLE LEG		2	F	PLASTIC BOLT CAP		12
C	LEG CONNECTION		1	G	METAL WASHER		12
D	GLASS		1	H	ALLEN WRENCH		1

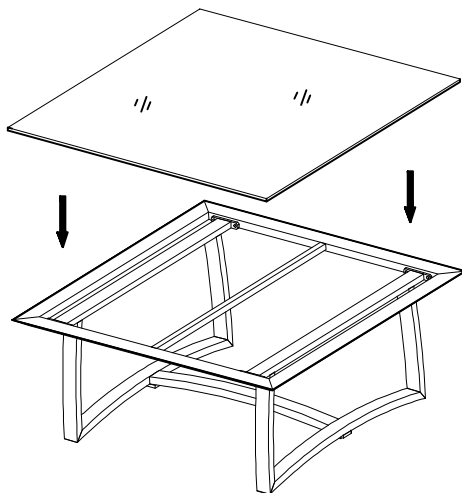
Step 1



Step 2



Step 3



Step 4

