
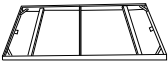

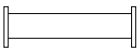





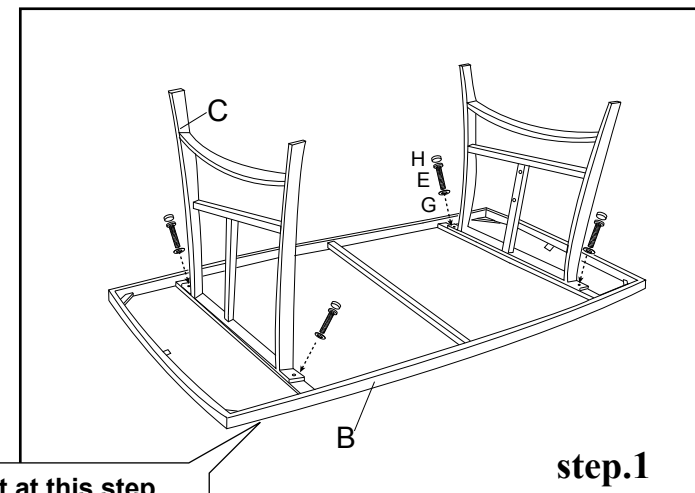


RECTANGLE TABLE

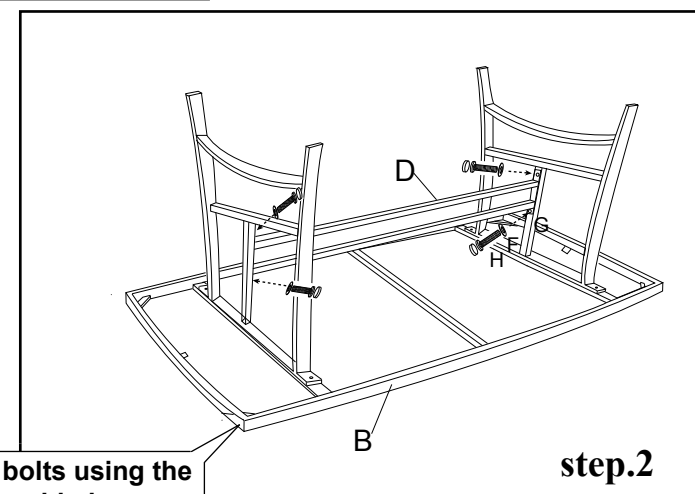
Assembly instruction

PARTS LIST			QTY
A	TABLE TOP		1
B	TABLE RIM		1
C	TABLE LEG		2
D	LEG CONNECTOR BRACKET		1
E	BOLT(long)		4
F	BOLT(short)		4
G	MATEL WASHER		8
H	BOLT PLASTIC CAP		8
I	ALLEN WRENCH		1

for warranty purpose or to buy replacement parts always keep this item number



Do not fix too tight at this step.



Now tighten all bolts using the Allen Wrench provided.

