

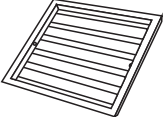

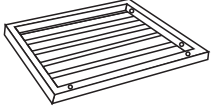

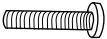


ASSEMBLY INSTRUCTION SHEET

DINING CHAIR

PARTS LIST							
A	ARMRESTS		2	E	METAL WASHER		8
B	BACK BOARD		1	F	PLASTIC BOLT CAP		8
C	SIT BOARD		1	G	ALLEN WRENCH		1
D	BOLT (M6*45CM)		8				

