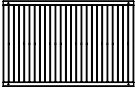
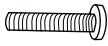
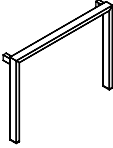





ASSEMBLY INSTRUCTION

PARTS LIST							
A	TABLE TOP		1	D	BOLT (M6x15mm)		12
B	TABLE LEG		2	E	METAL WASHER		12
C	PLASTIC BOLT CAP		12	F	ALLEN WRENCH		1

