





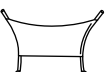

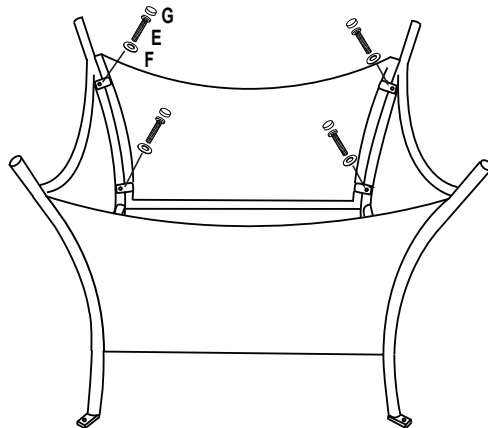


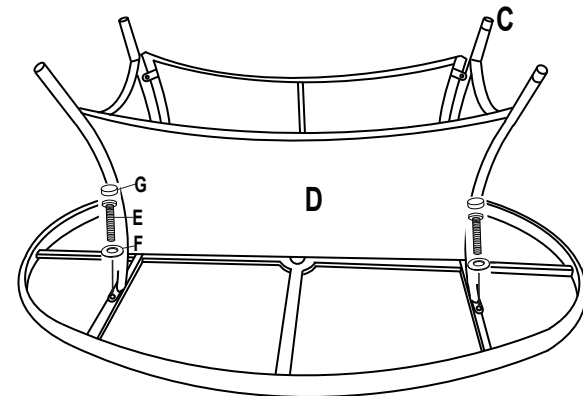
# ASSEMBLY INSTRUCTION SHEET

A	TABLE RIM		1	D	TABLE BASE(2)		2	G	PLASTIC BOLT CAP		12
B	GLASS TOP		1	E	BOLT(M6*20L)		12	H	ALLEN WRENCH		1
C	TABLE BASE(1)		2	F	METAL WASHER		12				

Tip - Do not fully tighten the bolts until the item is fully assembled.



PIC.1



PIC.2