
Løkken-white - Dinning low table

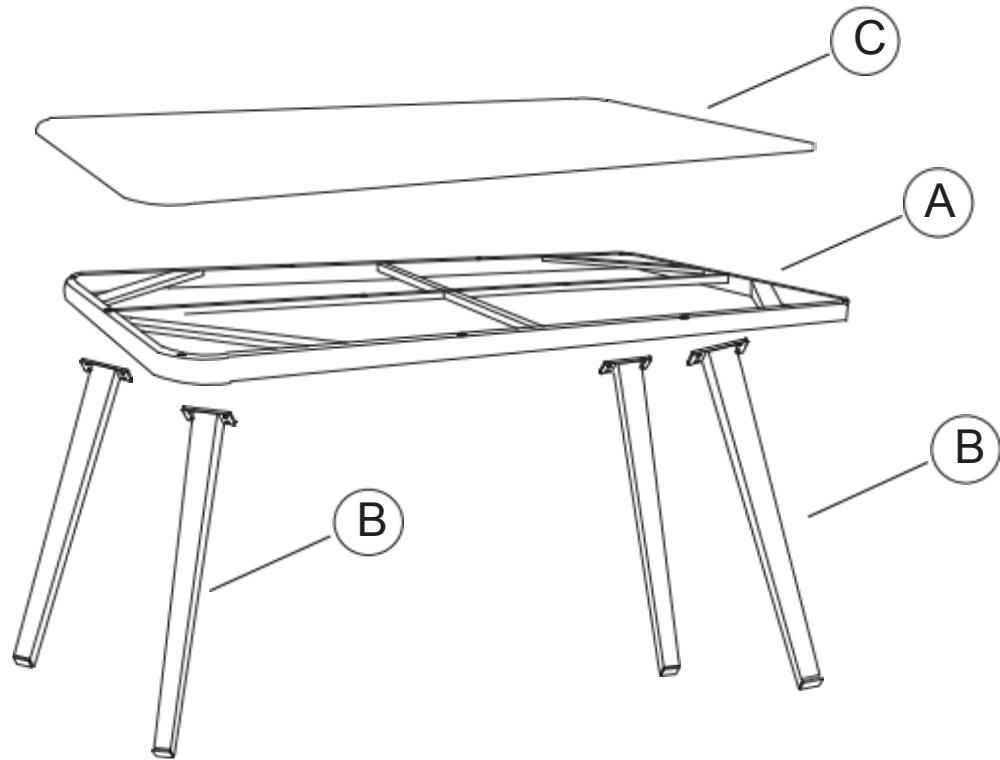
Assembly instructions



Løkken-white - Dinning low table

Assembly instructions

GETTING TO KNOW YOUR PRODUCT

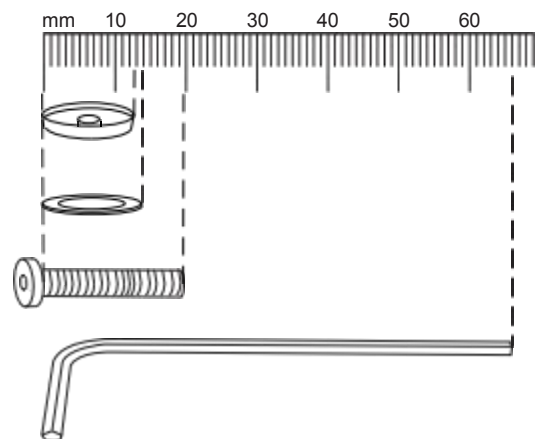


Components supplied. Please use this guide if you require replacement parts.

Ref	Dimensions	Visual	Qty
A	140*80cm		1
B	69.5*10cm		4
C	140*80cm		1

Fixtures and fittings supplied(actual size)

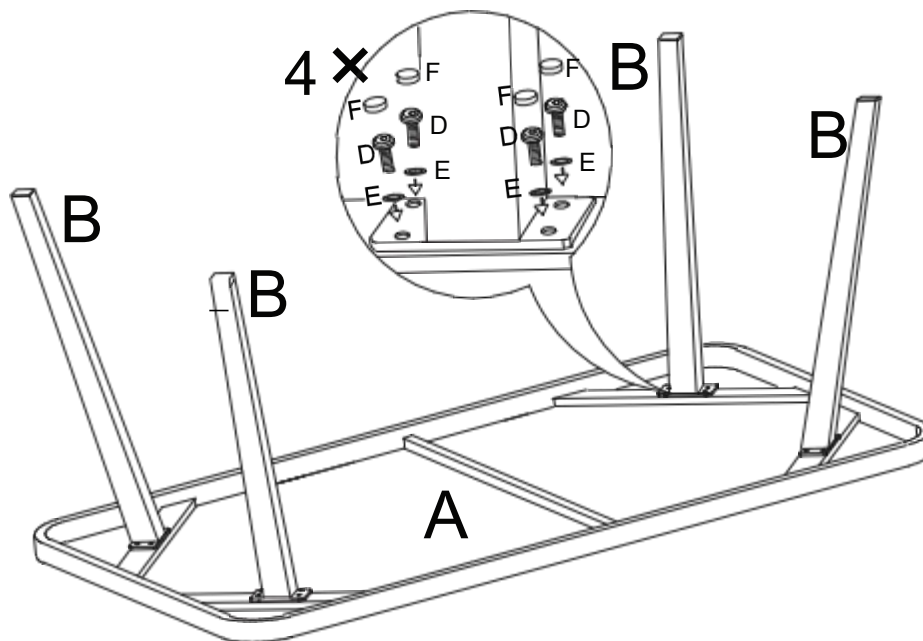
Ref	Dimensions	Qty
F	∅13x5mm	16
E	∅14x1mm	16
D	M6x15mm	16
G	22X66mm	1



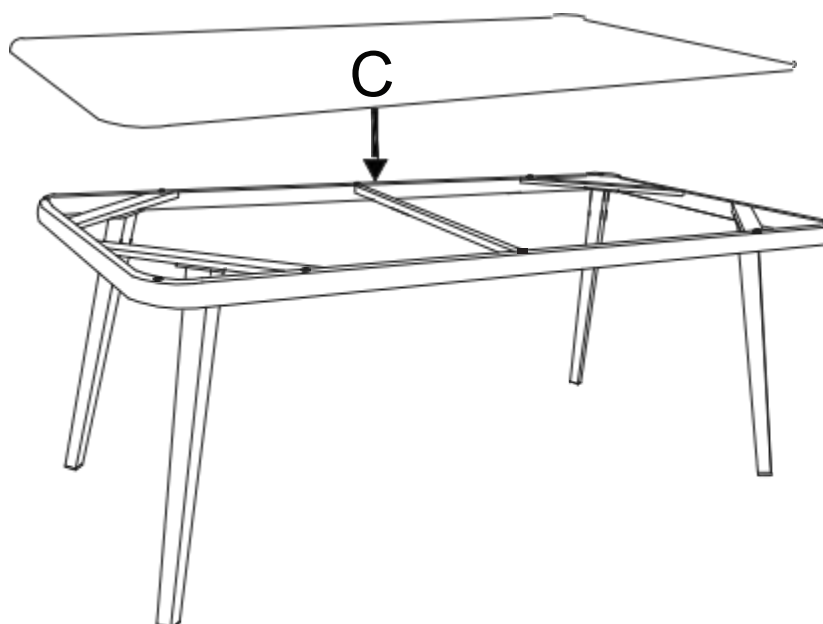
Løkken-white - Dinning low table




Assembly instructions

STEP 1



STEP 2



Fx16	ø13 x 5.0mm
	
Ex16	ø14 x 1.0mm
	
Gx1	22 x 66mm
	
Dx16	M6 x 20mm
