

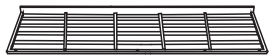
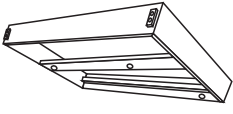

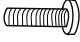
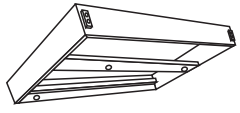
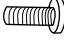
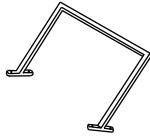
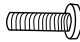




# ASSEMBLY INSTRUCTION

## PARTS LIST

A	BACK BOARD		1	G	PLASTIC BOLT CAP		20
B	SIT BOARD		1	H	ARMREST(2)		1
C	TABULA		1	I	BOLT 1 (M6*35MM)		4
D	ARMREST(1)		1	J	BOLT 2 (M6*15MM)		10
E	MIDDLE FEET		1	K	BOLT 2 (M6*40MM)		6
F	METAL WASHER		20	L	ALLEN WRENCH		2

