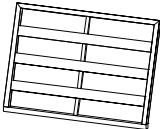

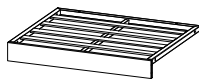
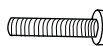

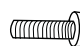
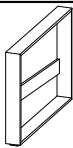
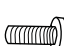
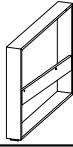




ASSEMBLY INSTRUCTION

PARTS LIST							
A	BACK BOARD		1	G	PLASTIC BOLT CAP		12
B	SIT BOARD		1	H	BOLT 1 (M6*40MM)		4
C	TABULA		1	I	BOLT 2 (M6*35MM)		4
D	ARMREST(1)		1	J	BOLT 3 (M6*15MM)		4
E	ARMREST(2)		1	K	ALLEN WRENCH		1
F	METAL WASHER		12				

